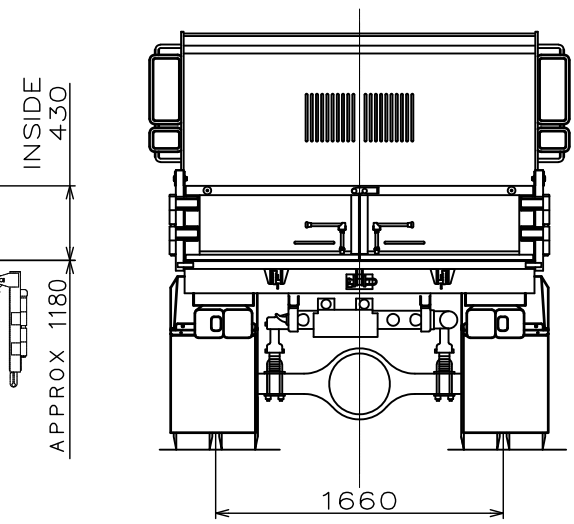
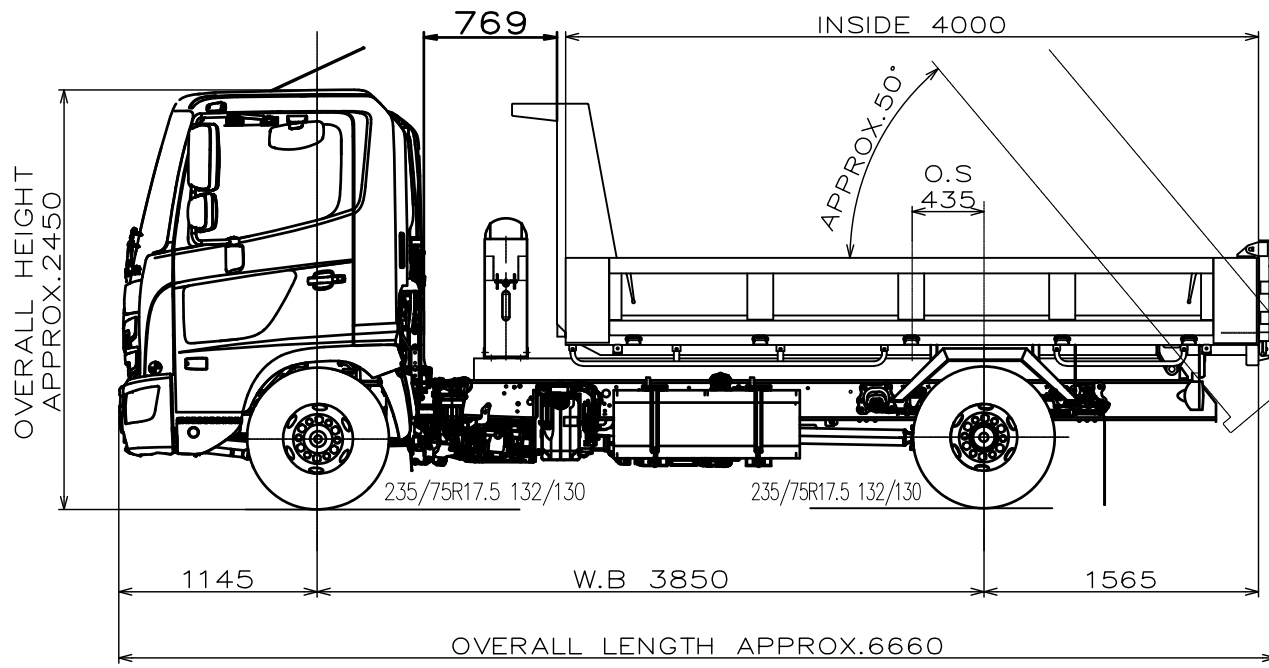


A - A SECTION

Description	Dimension	Material
1 Deck plate	t6.0	Mild Steel
2 Side plate	t3.2	Mild Steel
3 Deck frame	t6.0	Mild Steel
4 Spacer	□20x50	Plastic
5 Sub-frame	t4.0	Mild Steel



VOLUME(3.5<sup>3</sup> m)

DRAWING NO. HDD3-01043	REAR DUMP TRUCK(DROP SIDE)
DATE SEP.03.2018	CHASSIS MODEL HINO FC2AG1A
足池杉新 立田山井	HINO MOTORS,LTD.