



\* Illustration may contain items not standard to the model

**Euro 5  
6 x 4 Cab Chassis**

## KEY FEATURES

- Vehicle Stability Control (VSC) with ASR ##
- Polished Aluminium Wheels
- Cruise Control
- Easy Start (ES) Take off assist (Manual models only)
- Drivers SRS Airbag
- Heated & Electrically Operated External Mirrors
- ISRI 6860/870 Drivers seat with integrated Safety Belt
- ECE R-29 Cab Strength Certified
- ECAS Rear Suspension Variants
- Differential Cross Locks

## KEY SPECIFICATIONS

GVM .....	26,000kg
GCM.....	33,000kg Automatic models
.....	38,000kg Manual models
Power .....	280hp/206kW
Torque.....	883Nm
Transmissions.....	Nine-speed Synchromesh Manual
.....	Six-speed Allison Automatic
Nominal Wheelbases.....	4.2m, 5.3m
Max. Nominal Body Length# .....	6.3m, 8.1m

## VSC & ACR will not be available for all application types including but not limited to trailer and 8 x 4.





# FM 2628

## Engine & Driveline Specifications

### ENGINE

Model	J08E-WA
Max. Output (ISO Net)	280hp/206kW @ 2,500 RPM
Max. Torque (ISO Net)	883Nm/90kgfm @ 1,500 RPM
Max. Engine Speed	2,700 RPM
Engine Compliance	ADR 80/03 using Euro 5 STD
Type	Turbocharged & Intercooled, 6 cylinder in-line, overhead camshaft & fluid cooled
Combustion System	Direct Injection
Bore & Stroke	112 x 130mm
Piston Displacement	7.687L
Compression Ratio	18.0:1
Engine Oil Capacity	13.5L
Coolant Fluid Capacity	Auto: 25L
	Manual: 21.5L
Fuel Injection System	Electronic control common-rail type
Air Intake System	Stack-type
Air Cleaner	Dual paper elements
Air Compressor	Single cylinder, fluid cooled 85 x 60mm
Fan Clutch	Equipped
Exhaust	Horizontal
Emission Control System	Selective Catalytic Reduction (SCR)
Engine Immobilizer	Equipped

### CLUTCH (Manual Models only)

Model	CS-380
Type	Dry single plate with damper springs
Facing material	Organic
Facing outside diameter	380mm
Control	Hydraulic with air booster

### TRANSMISSION & GEAR RATIOS

Make & Description	Automatic		Manual	
	Allison 3500 series 6 speed with Electronic Control		Eaton ES11109 9 speed with Cable Control	
Type	Double Overdrive		Direct Drive	
Gear Ratios	1	4.593	1	12.637
	2	2.257	2	8.806
	3	1.535	3	6.550
	4	1.000	4	4.768
	5	0.749	5	3.548
	6	0.651	6	2.481
			7	1.845
			8	1.343
			9	1.000
		Rev	4.999	Rev
Torque convertor & Ratio	TC 415	2.35		

### PERFORMANCE

Calculations based on 26.0 t GVM with 11R22.5 drive tyres		
Transmission	Automatic	Manual
Wheelbase variants	Long	Medium
Rear Axle Ratio	6.142	4.625
Engine RPM @ 100 km/h	2,200	2,440
Max theoretical speed (km/h)	122	112
Gradeability tan θ (%) @ GVM	47.5	38.2
Speed limited to (km/h)	100	

### BRAKES

Type	Full Air, dual circuit, "S"cam
Drum & Lining sizes	Front : 410 x 150mm
Diameter x Width	Rear : 410 x 220mm
Auto adjusters	Equipped
Vehicle Stability Control (VSC)	Equipped ##
Anti-lock Braking System (ABS)	Equipped
Anti-Slip Regulator (ASR)	Equipped ##
Air Dryer	Equipped
Easy Start (ES)	Manual models only
Park Brake	Spring Brake acting on FA & FR axles
Exhaust Brake	Equipped

### AXLE, SUSPENSION & LOAD LIMITS

FRONT	Front Axle Model	MF 78IR		
	Type	I-Beam, Reverse Elliot		
	Suspension	Taper leaf springs with shock absorbers & stabiliser		
	Spring Dimensions Length x Width x Thickness x Number	1,700 x 90 x 28.8mm x 1 1,700 x 70 x 30.3mm x 1		
	Spring Rate	32.8 kgf/mm		
	Axle Limit (including suspension)	7,500 kg		
REAR	Rear Axle Model	THD17 & SH17		
	Type	Fully floating, single reduction, hypoid		
	Rear suspension types	Hino 6 Rod Leaf	Hendrickson Air	
	Suspension	Semi-elliptic Multi Leaf		HAS 400 airbag with double acting shock absorbers and ECAS remote height control system
		Medium	Long	
	Spring Dimensions x Number Length x Width x Thickness	1,350 x 90 x 20 x 10	1,350 x 90 x 20 x 6 1,350 x 90 x 18 x 36	
Spring Rate	293.4 kgf/mm	234.0 kgf/mm		
Axle Limit (including suspension)	20,000 kg			

### WHEELS & TYRES

Material	Polished Aluminium	
Wheel type	10-stud disc (ISO) 335 PCD	
Rim size (in)	8.25 x 22.5 – 165mm offset	
	FR Option 11.75 x 22.5	
Tyre size**	Air	Spring
	Front: 275/70R	Front: 11R22.5 148/145
	Rear: 275/70R	Rear: 11R22.5 148/145
	FR Option: 385/55R22.5 or 385/65R22.5	
Number of tyres	10	

### FUEL TANK

Material	Steel
Capacity	200L
Lockable cap	Equipped
Pre Filter & sedimenter	Equipped
AdBlue® tank capacity	59L

### STEERING

Type	Telescopic & tilt steering column with locking device. Recirculating ball with internal Power Steering
Steering Angles	Inner 49°
	Outer 34°

## VSC & ACR will not be available for all application types including but not limited to trailer and 8 x 4.

\*\* Optional tyre sizes require approval.



# FM 2628

## Cab, Instrumentation & Chassis

### CAB DETAILS

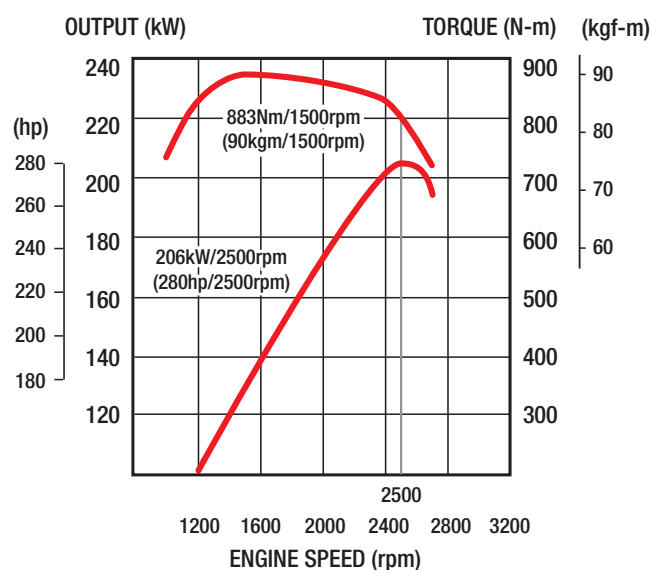
Type	Forward control, all-steel construction mounted on full floating coil spring suspension with electro hydraulic tilt mechanism
ECE R-29 Cab strength	Compliant
Drivers SRS Airbag	Equipped
Seating capacity	Three
Driver's seat	ISRI 6860/870 with urethane foam pads, high-back, lumbar support, multi adjustable, air suspended, with integrated safety belt
Side passenger's seat	Urethane foam pads, high-back & reclining seat with fabric cover, air suspension
Centre passenger's seat	Urethane foam pads & foldaway type with seat back tray, fabric cover
Seat belt	3-point type on driver's & side passenger's seat 2-point type on centre passenger seat
Sun visor and overhead console	For driver & passenger sides
Windshield wipers	Electric, dual, intermittent & 2-speed
Ventilator	Forced type by electric blower
Rear view mirrors	External: Electric Control & heated flat type, Convex spotters both sides and Left side kerb view
12V/120w Socket	Equipped
Floor mat	Vinyl type
Central locking & keyless entry	Equipped
Heater and defroster	Standard
Air conditioner	Standard
Trim	Full trim type (side, roof & back)
Cab pockets	Equipped on both door sides
Power windows	Equipped
Rest area	Equipped
Audio/visual display	DAB+ AM/FM radio with CD & DVD player, Bluetooth and Reverse Camera Display
Speakers	Driver & passenger
Foot rest	Equipped
Easy Start	Manual Models only
Cup holders	Equipped
Cruise control	Equipped

### ELECTRICAL

Type	24V, negative earth
Batteries	12V x 2, series connection, 120 Ah
Alternator Type	Brushless, with built-in regulator
Capacity	24V, 90 Amp
Starter Type	24V, 5.0 kW
Headlamps	Halogen type with manual levelling
High/low beam	Equipped
LED Fog Lamps (white)	Equipped
Fluorescent Reading Lamp	Equipped
Electric air horn	Equipped

### POWER & TORQUE CHART (ISO Net) J08E-WA

#### J08E-WA



### INSTRUMENTS

Meters	Additional Switches & Controls
Speedometer	External flat mirror Control
Tachometer	Easy Start Rate Control (Manual Models only)
<b>LCD Gauges</b>	
Air pressure (2)	Idle up Control
Fuel	Quick warm up switch
AdBlue®	VSC/ASR off switch
Engine Temperature	Eco Run (Manual models only)
Odometer plus trip meter	Headlight Levelling
<b>Multi Information Display (MID)</b>	Fog Lamp
Fuel Consumption	ECAS remote (air bag models)
Service reminders	Inter-axle & Differential Cross Locks
Warnings	
Faults	

### CHASSIS FRAME

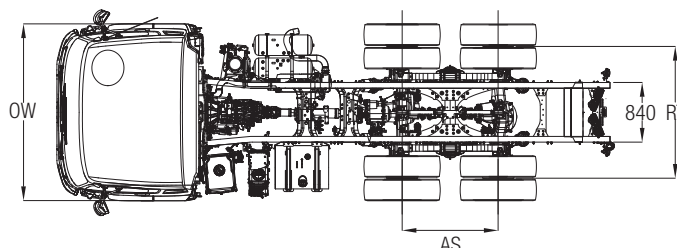
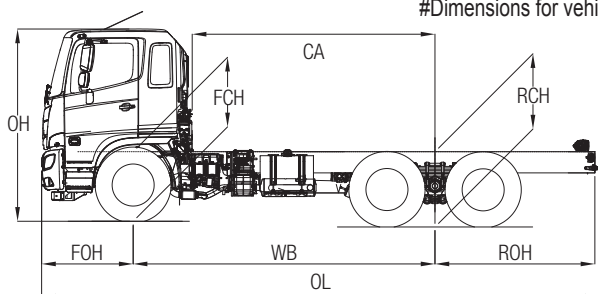
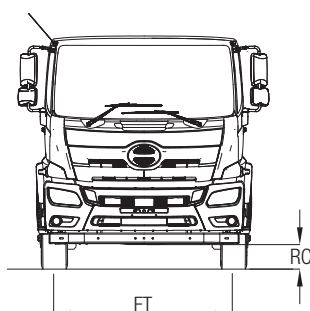
Type	Ladder-shaped channel section side rails with Grid hole design
Chassis outer width (at rear)	840mm
Main section (mm) Depth x flange x Thickness)	298 x 80 x 7.0
Tensile strength	620 N/mm <sup>2</sup> (63 kgf/mm <sup>2</sup> )
Front and rear tow hook	Equipped



FM 2628

**500**  
 S E R I E S

# Dimensions



## DIMENSIONS - mm/capacities

Model	FM 2628		
Wheelbase variant	MEDIUM		LONG
Transmission	AUTO	MANUAL	AUTO
Rear Suspension	LEAF		AIR
Model Code	FM8JL1M-WHU	FM8JL1M-XHU	FM8JR1G-WHU
Wheelbase (WB)	4,255		5,310
Axle Spread (AS)	1,350		1,330
Max Nominal Body length # (WB x 0.7 (up to 4.0m)) + CA - 80)	6,198	6,323	8,117
Overall Length (OL)	7,845		9,295
Overall Width (OW)	2,490		
Overall Height (OH)	2,755	2,760	2,755
Cab to Rear Axle Centre (CA)	3,300	3,425	4,480
Front Overhang (FOH)	1,280		
Rear Overhang (ROH)	2,250		2,645
Front Chassis Height (FCH)	1,030	1,035	1,030
Rear Chassis Height (RCH)	1,070		1,045
Road Clearance (RC)	250		
Front Track (FT)	2,050		
Rear Track (RT)	1,840	1,855	1,840
Turning Circle Kerb to Kerb	15,800	15,600	19,000
Wall to Wall	17,400	17,200	20,600
Indicative Chassis Mass – kg (10 litres of fuel & spare tyre and subject to ± 3% Tolerance)			
Total	7,202	7,017	6,883
Front	3,504	3,344	3,524
Rear	3,698	3,673	3,359
GVM	26,000kg		
GCM	33,000KG	38,000kg	33,000kg

#Dimensions for vehicle fitted with 11R22.5 tyres

## WARRANTY

New vehicle warranty period

Medium Duty Model	Axle configuration	Standard warranty (whichever comes first)	Engine & Powerlines (whichever comes first)
500 FM 2628	6 x 4	24 months or 150,000km	36 months or 200,000km

## DISCLAIMER

Important notice. Hino Trucks are distributed in New Zealand by Hino Distributors (NZ) Ltd.

All efforts have been made to ensure the information contained in this brochure was correct at time of printing or uploading. Hino Distributors (NZ) Ltd reserves the right to alter any details of the specifications and equipment without notice. Hino in so far as it is permitted by law to do so, shall not be liable in any way as a result of any reliance placed by any person on anything contained in this brochure. You should therefore check with your authorised Hino dealer at the time of ordering your motor vehicle to ensure that colour, specifications, equipment, design features and options are available for the vehicle you are ordering. Please note that some options may only be available in combination with others. Authorised Hino dealers will on request provide up to date information on all accessories, design features, prices and availability.

Date of issue - 01/10/17 FM 2628 V1.1