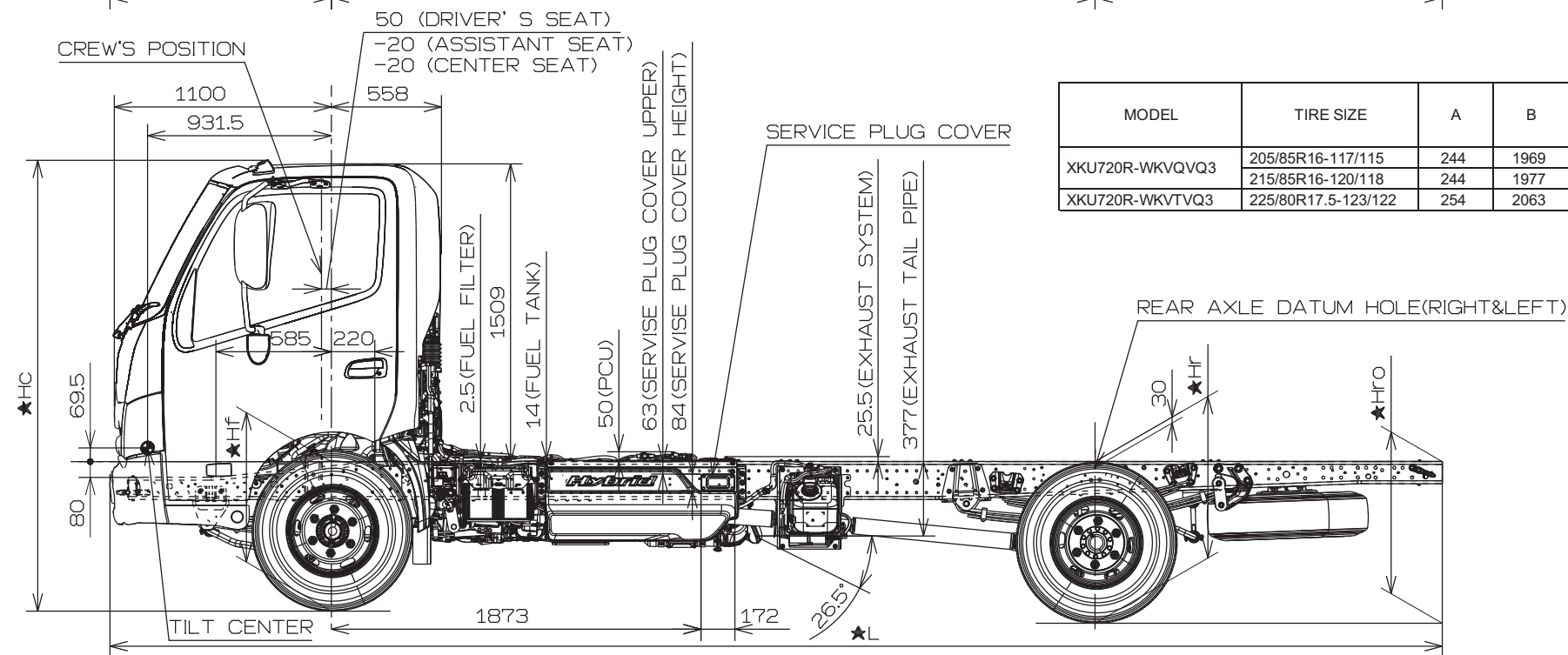
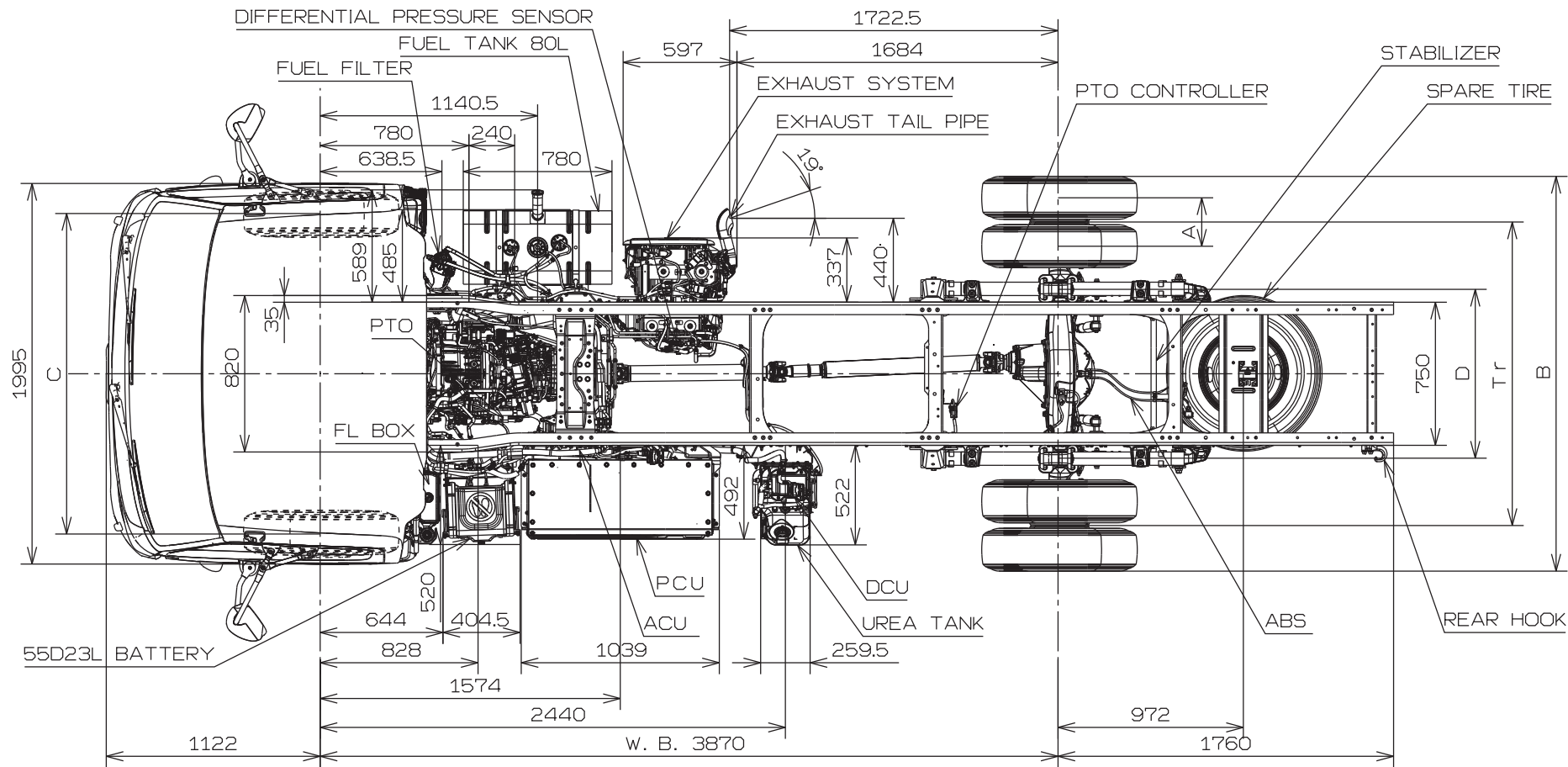


## 300 Series MY20 Cab & Chassis Drawings

Model	HYBRID RANGE	
Variant	Product Code	Chassis Drawing
616 AMT 3375 STD HYBRID	XKU655R-WKVMVQ3	CH-9
916 AMT 3870 WIDE HYBRID	XKU720R-WKVTVQ3	CH-11





MODEL	TIRE SIZE	A	B	C	D	Tr	DETAIL OF ★L				★L	★Hc		★Hf	★Hr	★Hro
							FRAME	HOOK	SPARE TIRE	Rr. BUMPER		ROOF	LAMP			
XKU720R-WKVQVQ3	205/85R16-117/115	244	1969	1665	890	1520	6751	6716	6379	-	6751	-	2218	692	757	786
XKU720R-WKVTVQ3	215/85R16-120/118	244	1977	1665	890	1520	6751	6716	6379	-	6751	-	2228	703	766	795
XKU720R-WKVTVQ3	225/80R17.5-123/122	254	2063	1655	890	1590	6750	6715	6379	-	6750	-	2246	723	813	854

[NOTE]

- The dimensions described above are designed figure under the chassis condition.
- When selected or fitted optional equipment or local parts such as tire, leaf spring, fuel tank and etc., should be examined the frame height from ground by body manufacturer.
- Figures marked "★" dimensions are measured in parallel with the surface of the ground.