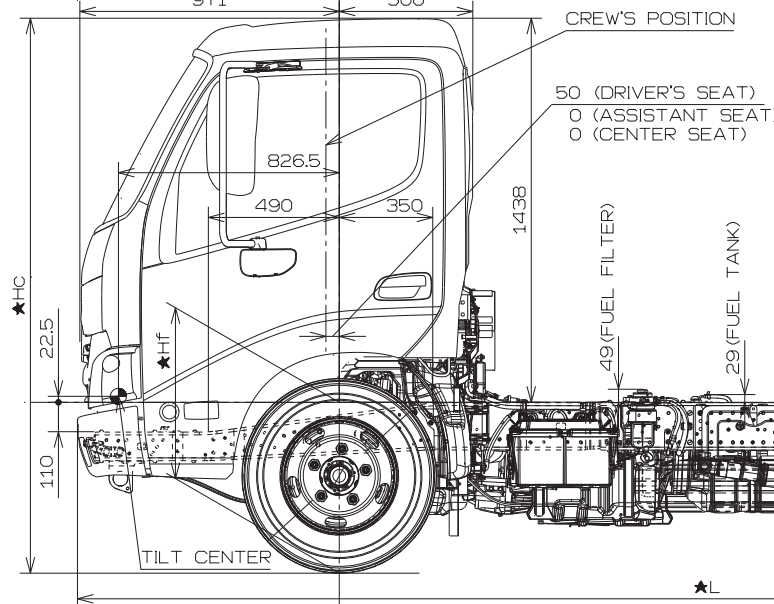
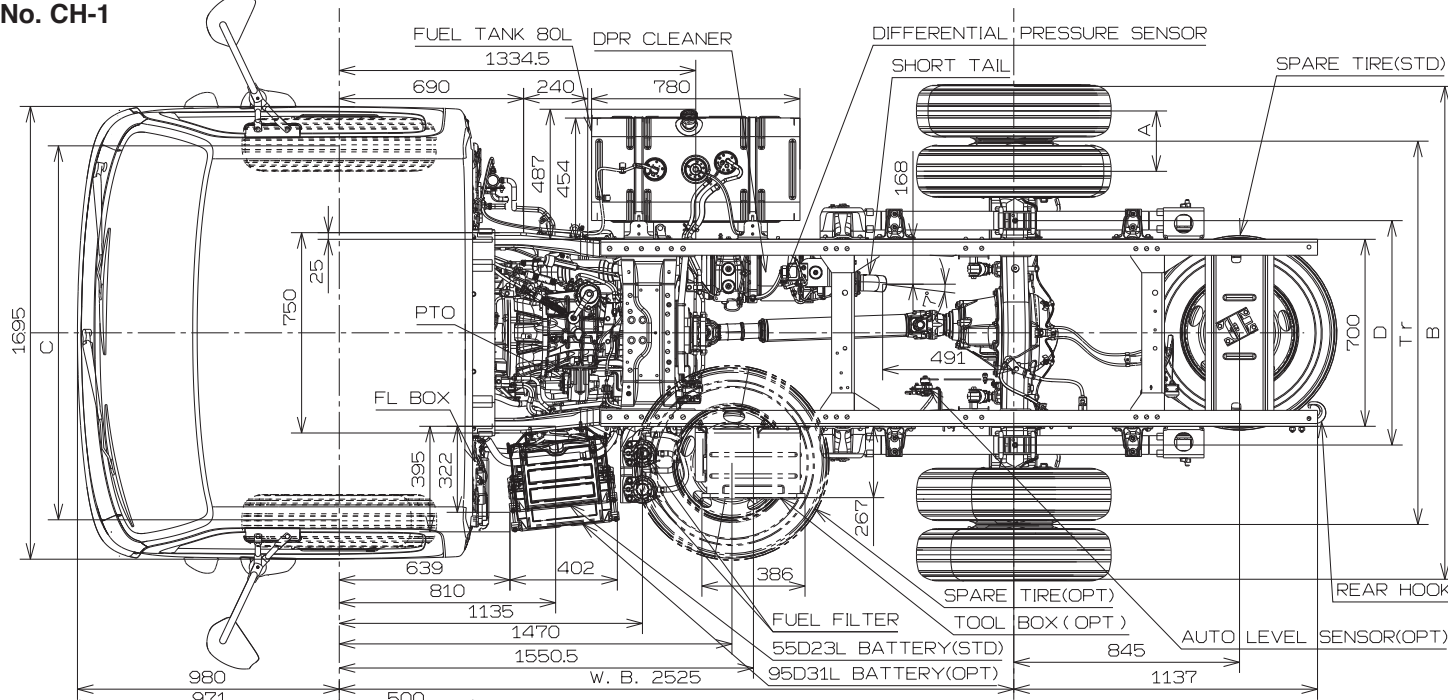


3. CHASSIS DRAWINGS

No. CH-1

Unit : mm



MODEL	TIRE	A	B	C	D	Tr	★L	★Hc	★Hf	★Hr	★Hro
XZU605R-HKMMSQ3	185/85R16	226	1845	1400	840	1435	4711	2093	657	696	713
XZU605R-HKTMSSQ3	185/85R16	226	1845	1400	840	1435	4711	2091	655	695	713

[NOTE]

- The dimensions described above are designed figure under the chassis condition.
- When selected or fitted optional equipment or local parts such as tire, leaf spring, fuel tank and etc., should be examined the frame height from ground by body manufacturer.
- Figures marked "★" dimensions are measured in parallel with the surface of the ground.