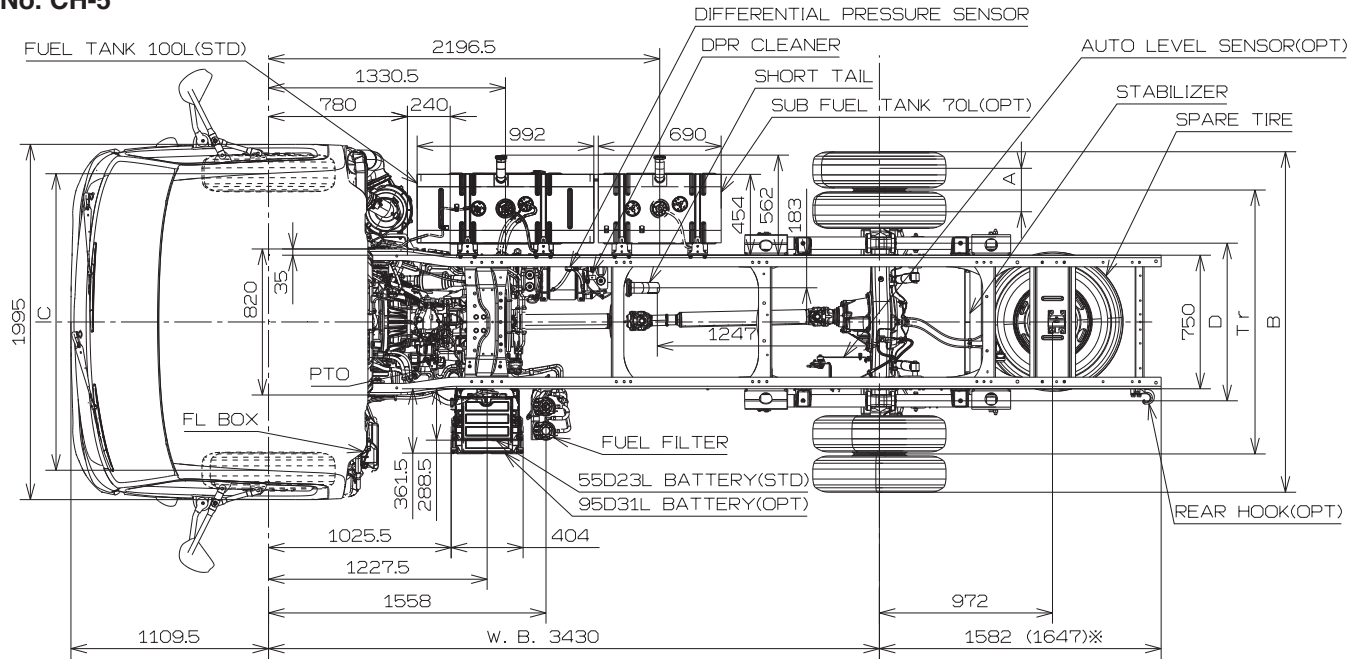
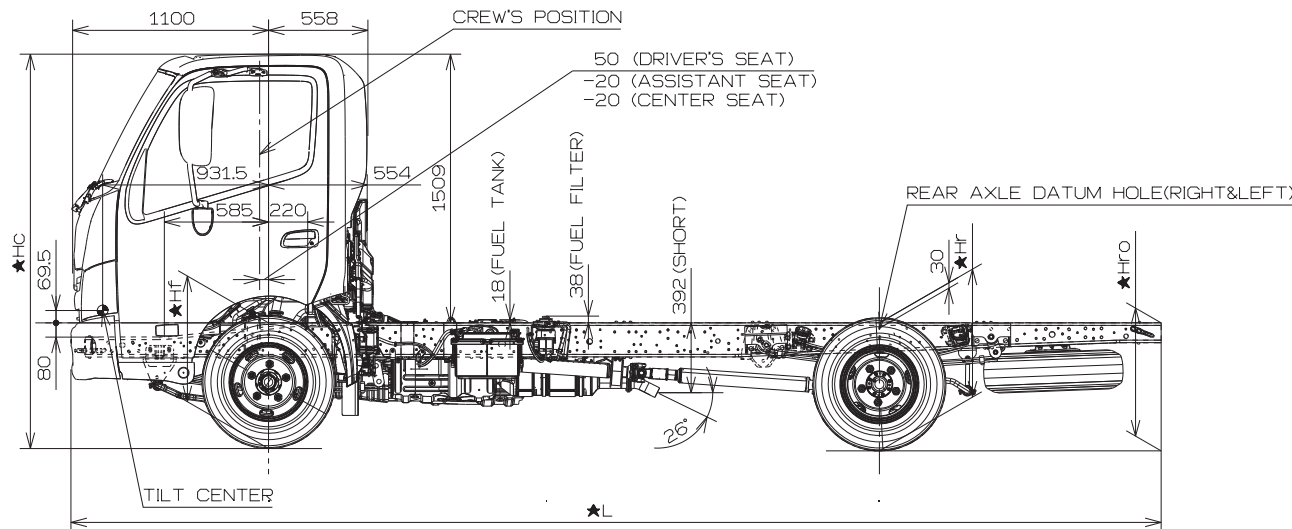


No. CH-5

Unit : mm



MODEL	TIRE	A	B	C	D	Tr	★L	★Hc	★Hf	★Hr	★Hro
XZU710R-HKTMSQ3	195/85R16	226	1902	1665	885	1480	6119(6184)	2188	680	752	785(786)
XZU710R-HKFMTO3	195/85R16	226	1902	1665	885	1480	6119(6184)	2188	680	752	785(787)



[NOTE]

- The dimensions described above are designed figure under the chassis condition.
- When selected or fitted optional equipment or local parts such as tire, leaf spring, fuel tank and etc., should be examined the frame height from ground by body manufacturer.
- Figures marked "★" dimensions are measured in parallel with the surface of the ground.
- Figures marked "※" dimensions shows restored rear over hang.
- Dimensions () in the table shows restored rear over hang.