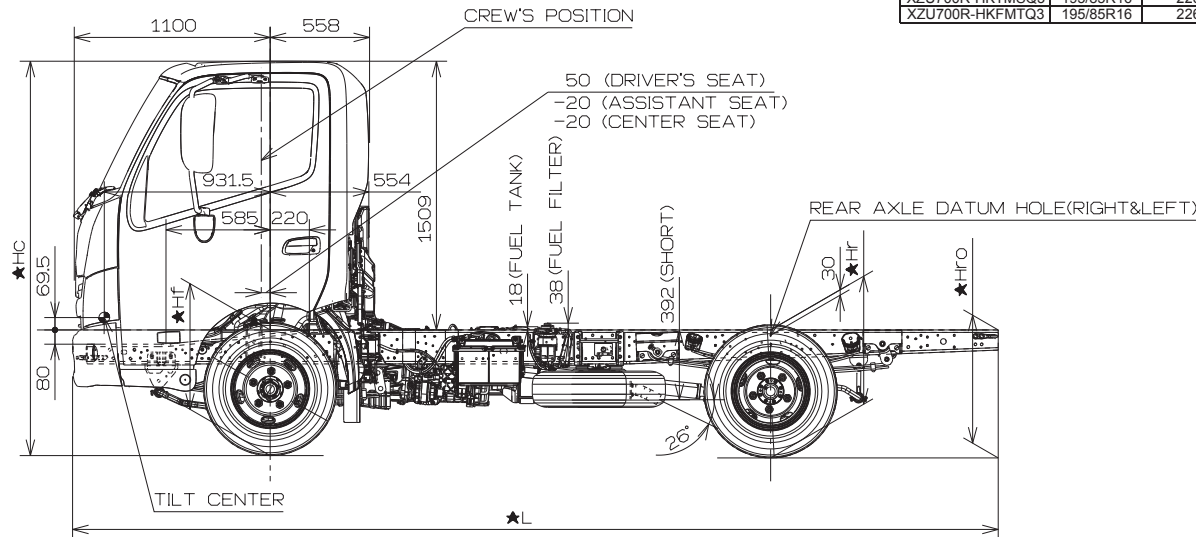
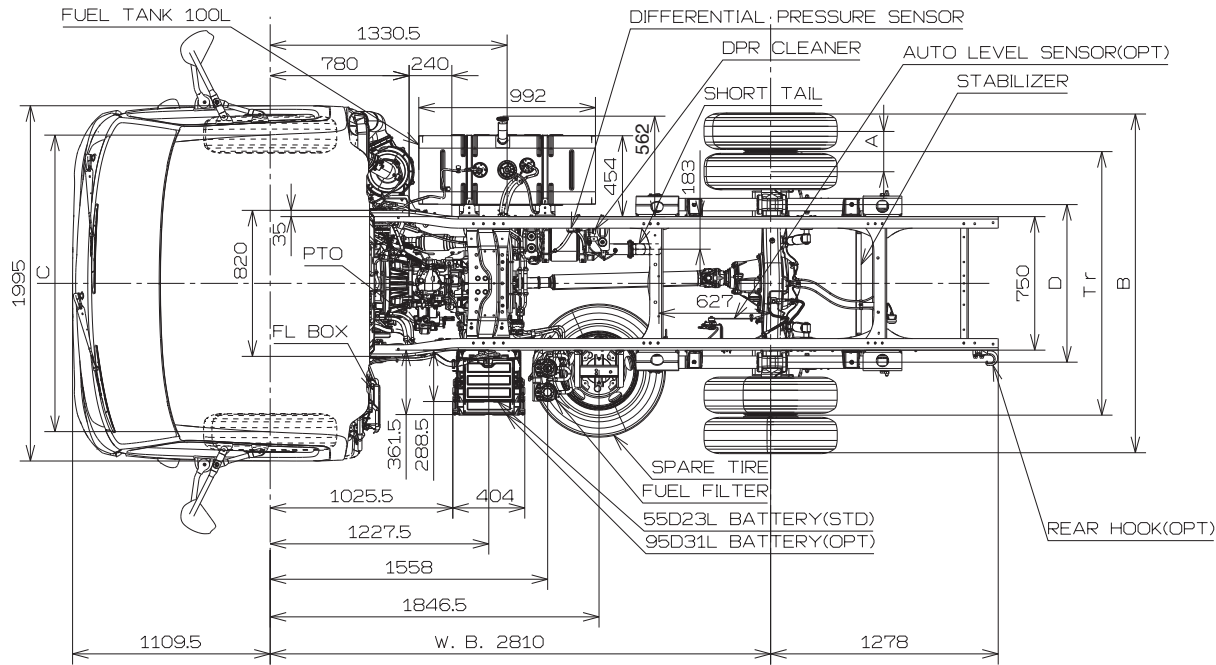


No. CH-3

Unit : mm



MODEL	TIRE	A	B	C	D	Tr	★L	★Hc	★Hf	★Hr	★Hro
XZU700R-HKTM3Q3	195/85R16	226	1902	1665	885	1480	5194	2190	682	752	785
XZU700R-HKFM3Q3	195/85R16	226	1902	1665	885	1480	5194	2190	681	753	785

[NOTE]

- The dimensions described above are designed figure under the chassis condition.
- When selected or fitted optional equipment or local parts such as tire, leaf spring, fuel tank and etc., should be examined the frame height from ground by body manufacturer.
- Figures marked "★" dimensions are measured in parallel with the surface of the ground.