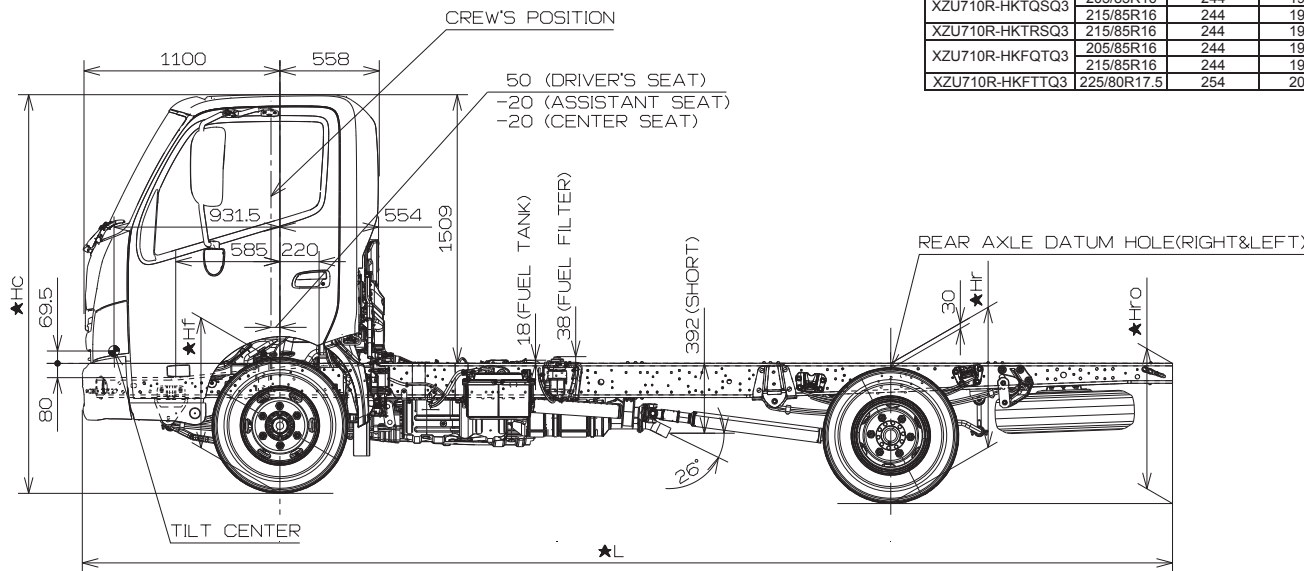
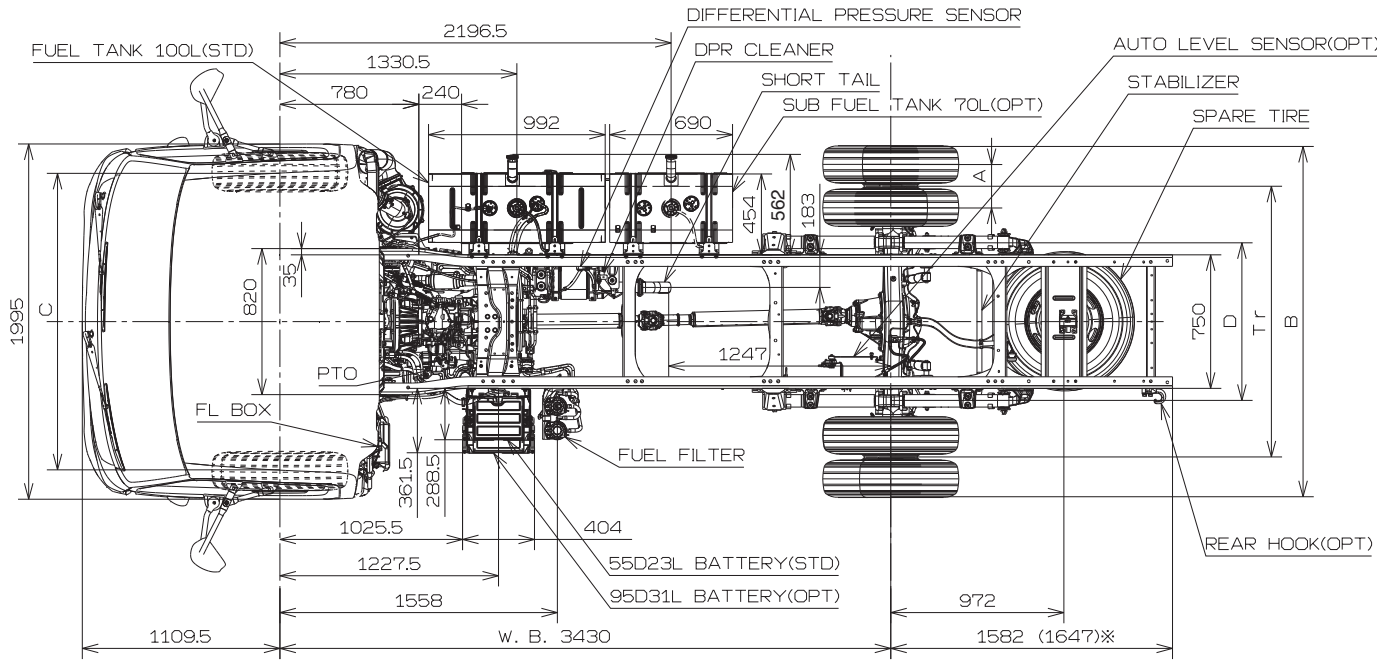


No. CH-4

Unit : mm



MODEL	TIRE	A	B	C	D	Tr	★L	★Hc	★Hf	★Hr	★Hro
XZU710R-HKTQSQ3	205/85R16	244	1967	1665	890	1520	6119(6184)	2203	695	761	791(792)
XZU710R-HKTRSQ3	215/85R16	244	1975	1665	890	1520	6119(6184)	2213	705	770	801(802)
XZU710R-HKFTSQ3	215/85R16	244	1975	1665	890	1520	6118(6183)	2218	709	797	837(839)
XZU710R-HKFQTSQ3	205/85R16	244	1967	1665	890	1520	6119(6184)	2203	695	761	792(793)
XZU710R-HKFQTSQ3	215/85R16	244	1975	1665	890	1520	6119(6184)	2213	705	771	801(802)
XZU710R-HKFQTSQ3	225/80R17.5	254	2062	1655	890	1590	6118(6183)	2234	726	816	858(859)

[NOTE]

- The dimensions described above are designed figure under the chassis condition.
- When selected or fitted optional equipment or local parts such as tire, leaf spring, fuel tank and etc., should be examined the frame height from ground by body manufacturer.
- Figures marked "★" dimensions are measured in parallel with the surface of the ground.
- Figures marked "※" dimensions shows restored rear over hang.
- Dimensions () in the table shows restored rear over hang.