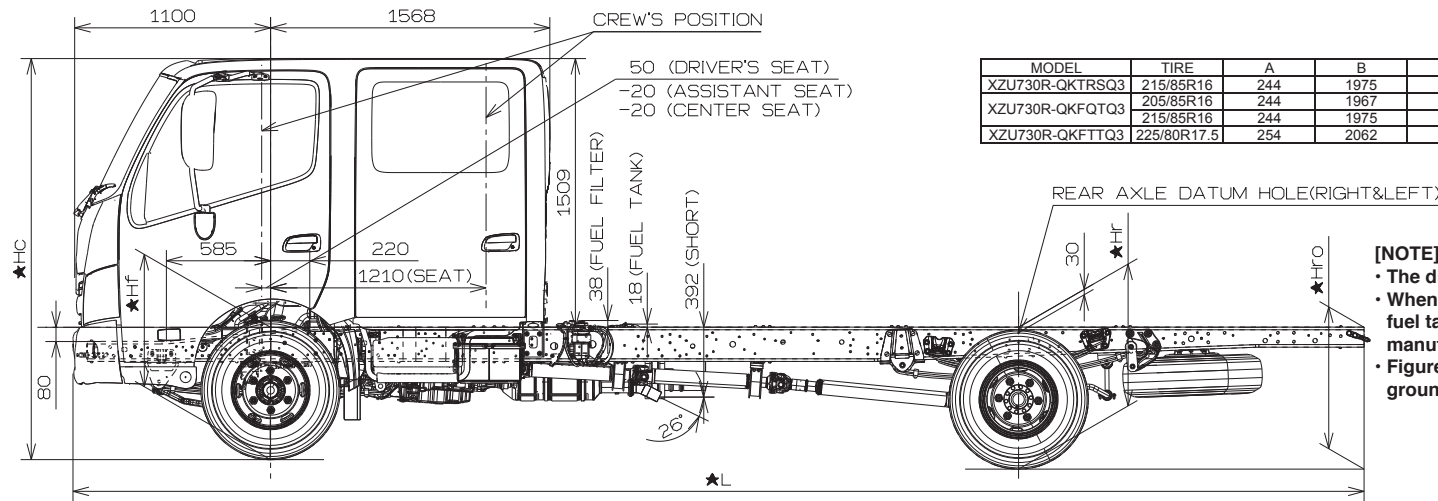
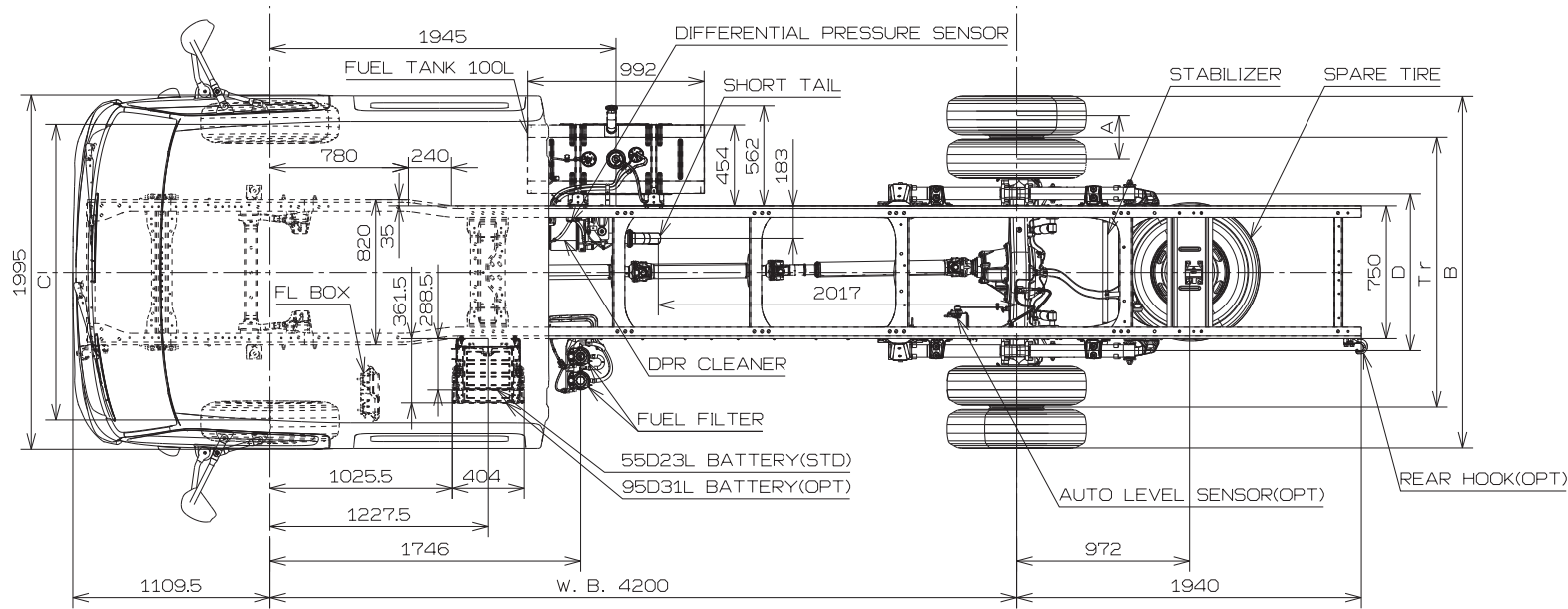


No. CH-10

Unit : mm



| MODEL | TIRE | A | B | C | D | Tr | ★L | ★Hc | ★Hf | ★Hr | ★Hro |
|-----------------|-------------|-----|------|------|-----|------|------|------|-----|-----|------|
| XZU730R-QKTRSQ3 | 215/85R16 | 244 | 1975 | 1665 | 890 | 1520 | 7247 | 2214 | 705 | 793 | 834 |
| XZU730R-QKFQTQ3 | 205/85R16 | 244 | 1967 | 1665 | 890 | 1520 | 7248 | 2199 | 690 | 758 | 789 |
| XZU730R-QKFQTQ3 | 215/85R16 | 244 | 1975 | 1665 | 890 | 1520 | 7248 | 2209 | 700 | 767 | 798 |
| XZU730R-QKFQTQ3 | 225/80R17.5 | 254 | 2062 | 1655 | 890 | 1590 | 7246 | 2230 | 721 | 813 | 856 |

[NOTE]

- The dimensions described above are designed figure under the chassis condition.
- When selected or fitted optional equipment or local parts such as tire, leaf spring, fuel tank and etc., should be examined the frame height from ground by body manufacturer.
- Figures marked "★" dimensions are measured in parallel with the surface of the ground.