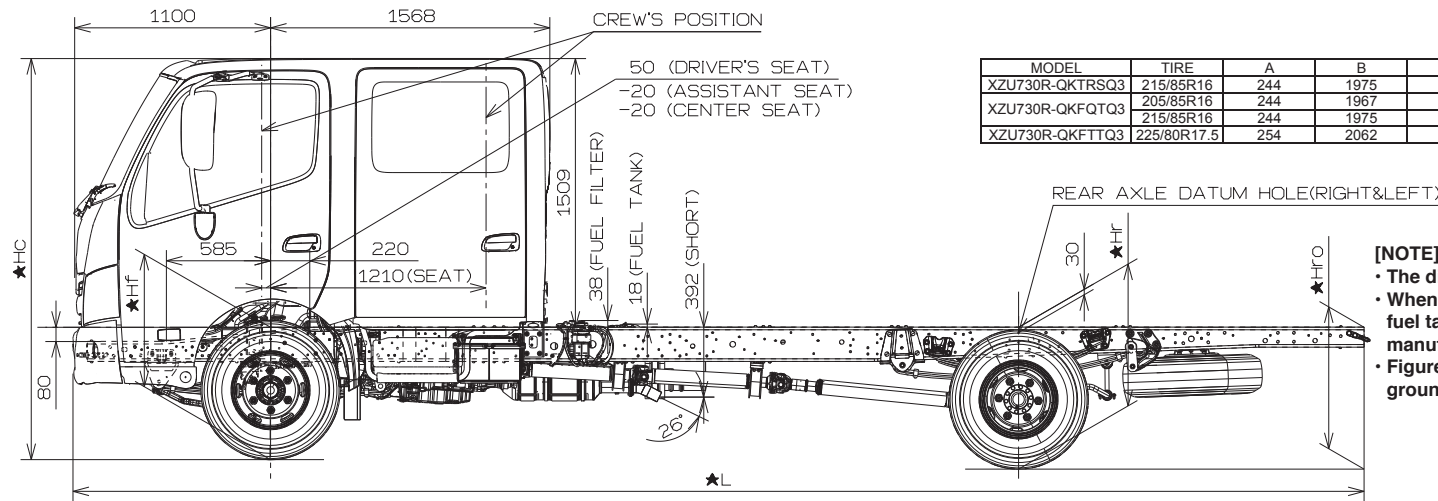
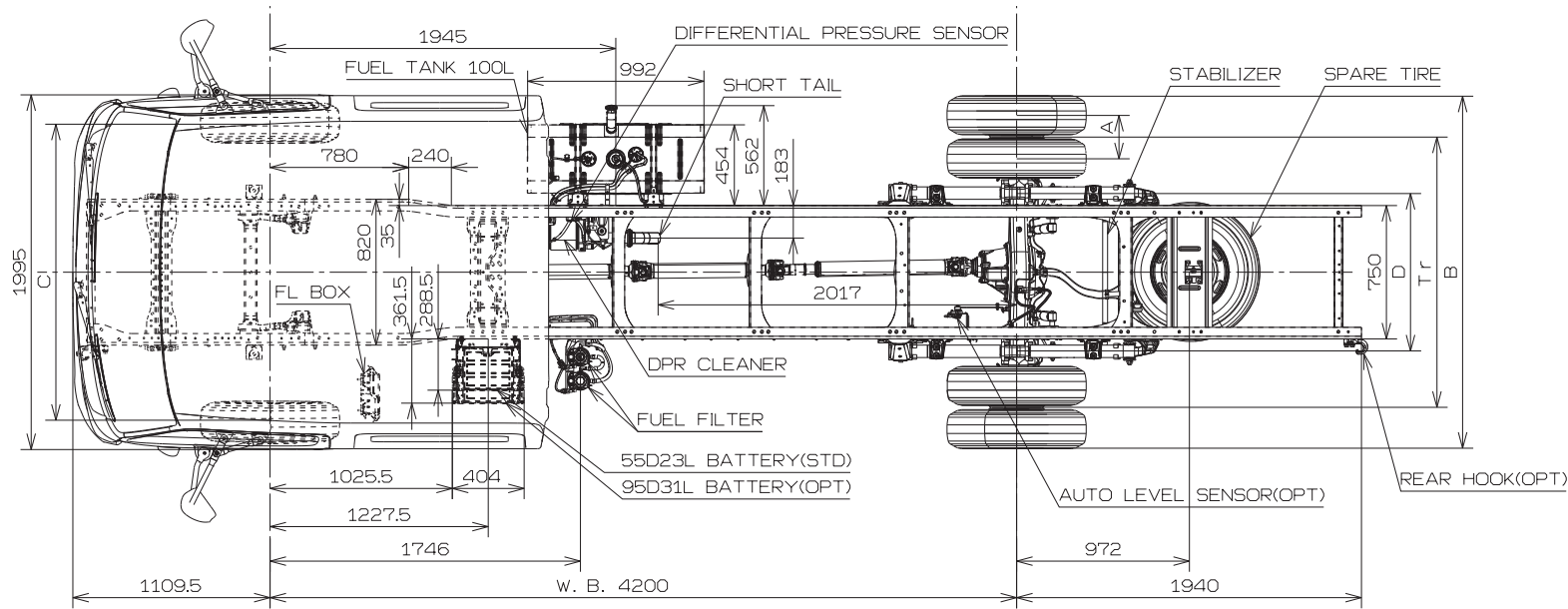


No. CH-10

Unit : mm



MODEL	TIRE	A	B	C	D	Tr	★L	★Hc	★Hf	★Hr	★Hro
XZU730R-QKTRSQ3	215/85R16	244	1975	1665	890	1520	7247	2214	705	793	834
XZU730R-QKFQTQ3	205/85R16	244	1967	1665	890	1520	7248	2199	690	758	789
XZU730R-QKFQTQ3	215/85R16	244	1975	1665	890	1520	7248	2209	700	767	798
XZU730R-QKFQTQ3	225/80R17.5	254	2062	1655	890	1590	7246	2230	721	813	856

[NOTE]

- The dimensions described above are designed figure under the chassis condition.
- When selected or fitted optional equipment or local parts such as tire, leaf spring, fuel tank and etc., should be examined the frame height from ground by body manufacturer.
- Figures marked "★" dimensions are measured in parallel with the surface of the ground.