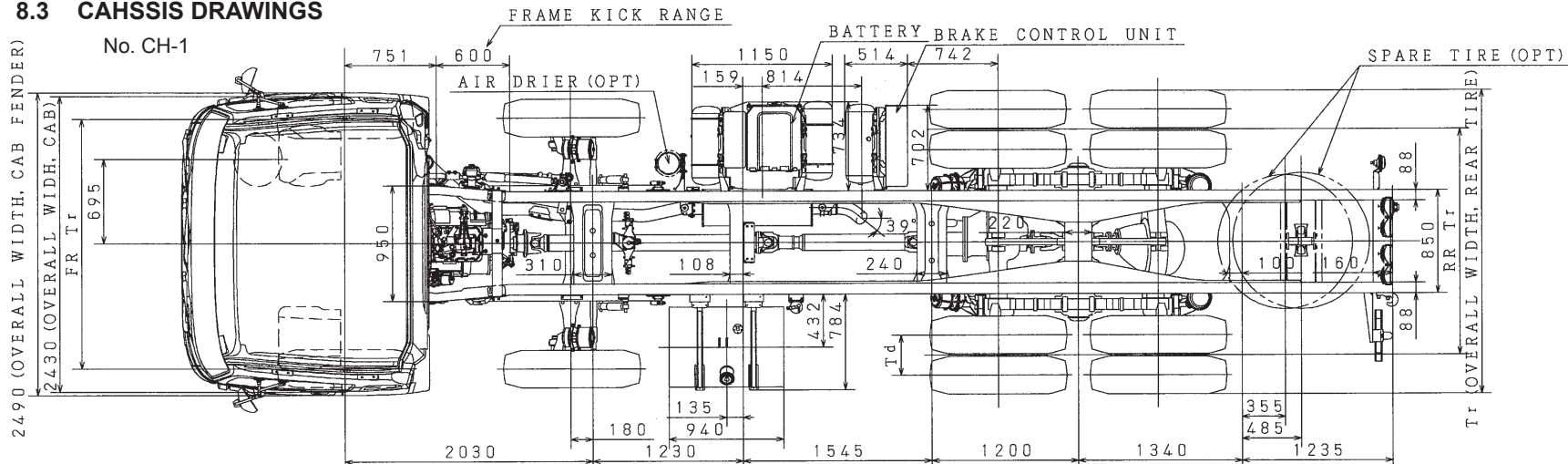
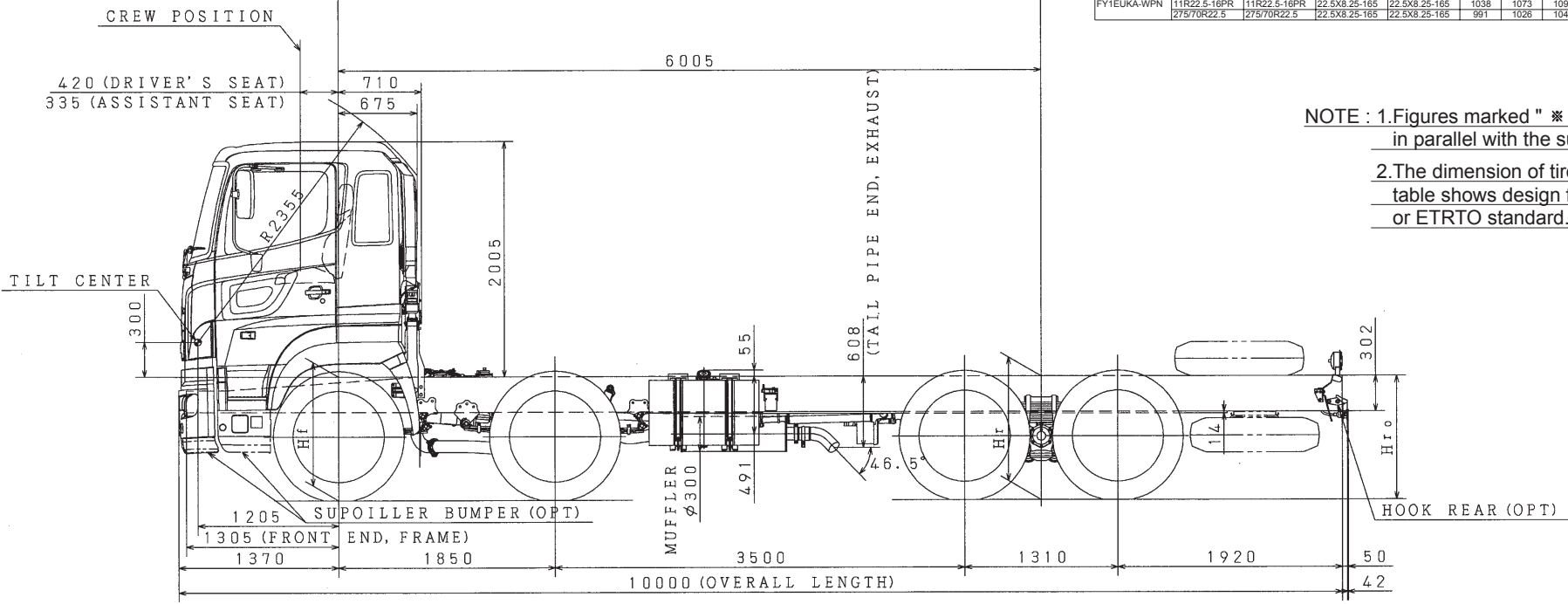


8.3 CAHSSIS DRAWINGS

No. CH-1



Unit : mm



MODEL	TIRE		DISC		DIMENSIONS									
	FRONT	REAR	FRONT	REAR	Hf	Hr	Hro	A	B	FR Tr	RR Tr	Td	Tr	
FY1EUKA-WPN	11R22.5-16PR	11R22.5-16PR	22.5X8.25-16S	22.5X8.25-16S	1038	1073	1090	285	246	2060	1855	324	2458	
	275/70R22.5	275/70R22.5	22.5X8.25-16S	22.5X8.25-16S	991	1026	1041	238	199	2050	1855	330	2461	

NOTE : 1. Figures marked "※" dimensions are measured in parallel with the surface of the ground.
2. The dimension of tire to be mentioned in above table shows design figure according to JATMA or ETRTO standard.