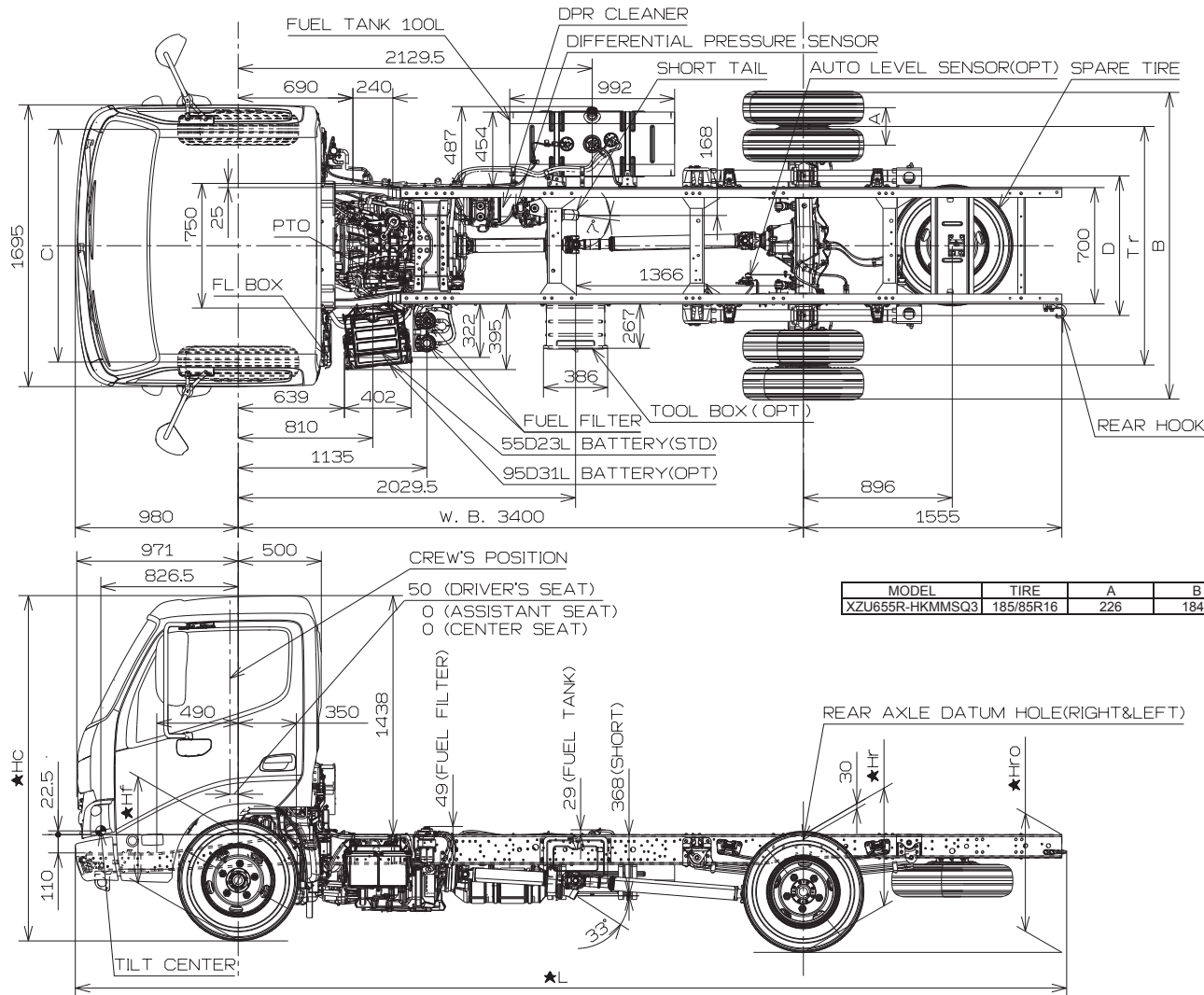


No. CH-2

Unit : mm



MODEL	TIRE	A	B	C	D	Tr	★L	★Hc	★Hf	★Hr	★Hro
XZU655R-HKMMSQ3	185/85R16	226	1845	1400	840	1435	5964	2090	654	695	714

[NOTE]
 • The dimensions described above are designed figure under the chassis condition.
 • When selected or fitted optional equipment or local parts such as tire, leaf spring, fuel tank and etc., should be examined the frame height from ground by body manufacturer.
 • Figures marked "★" dimensions are measured in parallel with the surface of the ground.