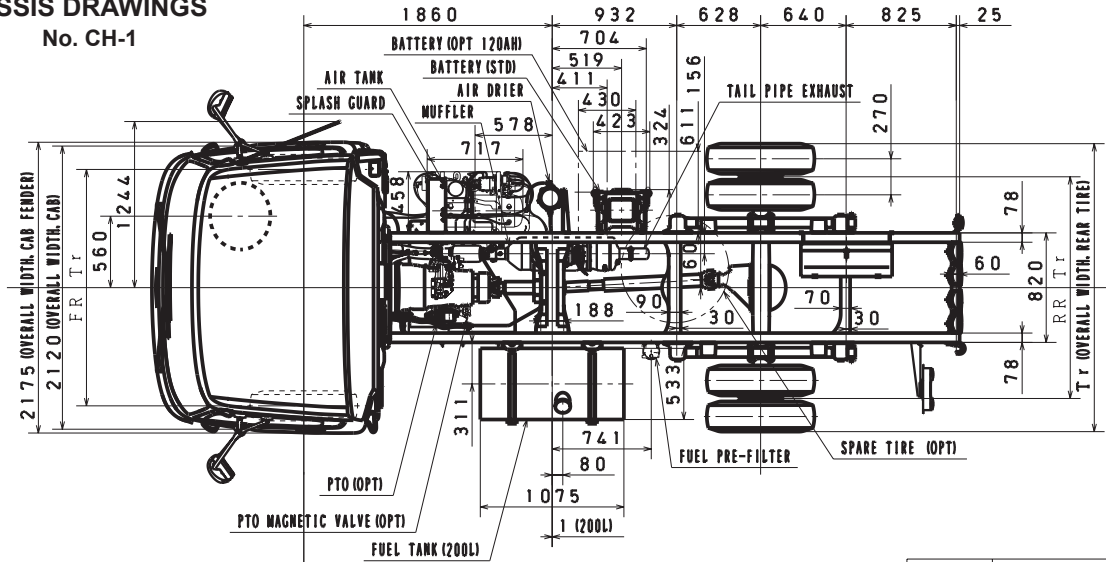


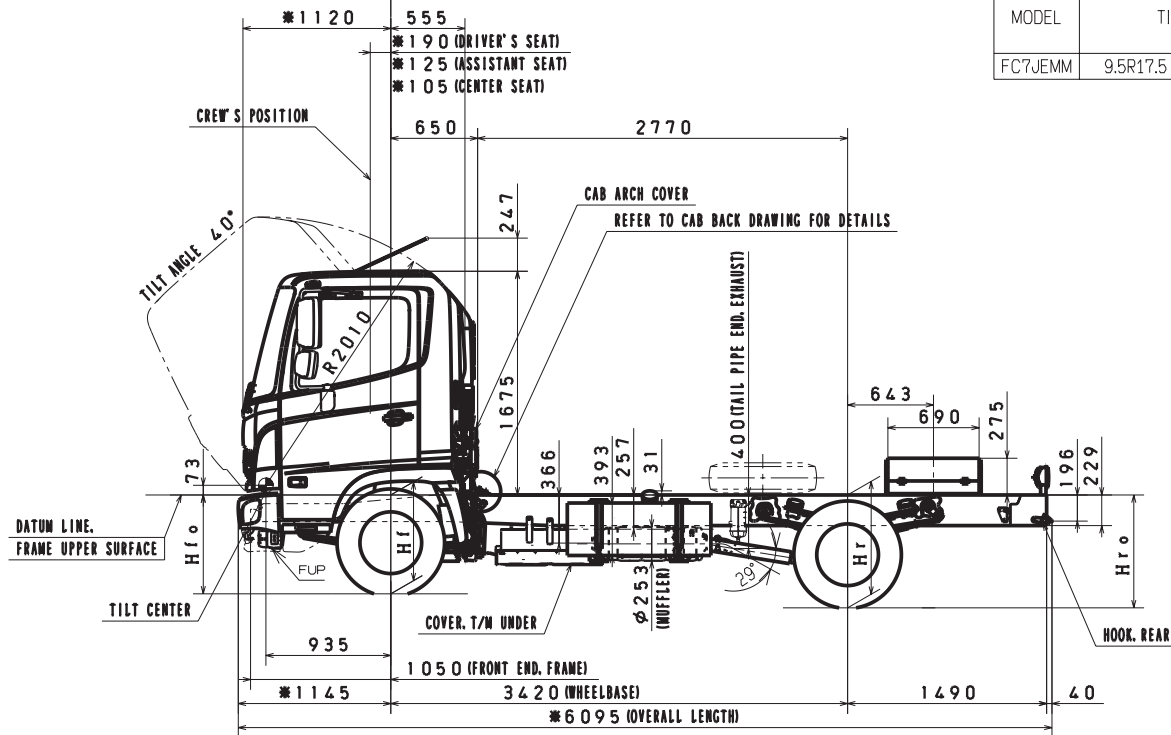
3. CHASSIS DRAWINGS

No. CH-1

Unit : mm



MODEL	TIRE	WHEEL	GROUND HEIGHT, FRAME UPPER SURFACE				FR Tr	RR Tr	Tr
			Hfo	Hf	Hr	Hro			
FC7JEMM	9.5R17.5 129/127	17.5X6.75-135-9	745	780	890	935	1770	1660	2170



NOTE: 1. Figures marked "*" dimensions are measured in parallel with the surface of the ground.
 2. The dimension of tire to be mentioned in above table shows design figure according to JATMA or ETRTO standard.