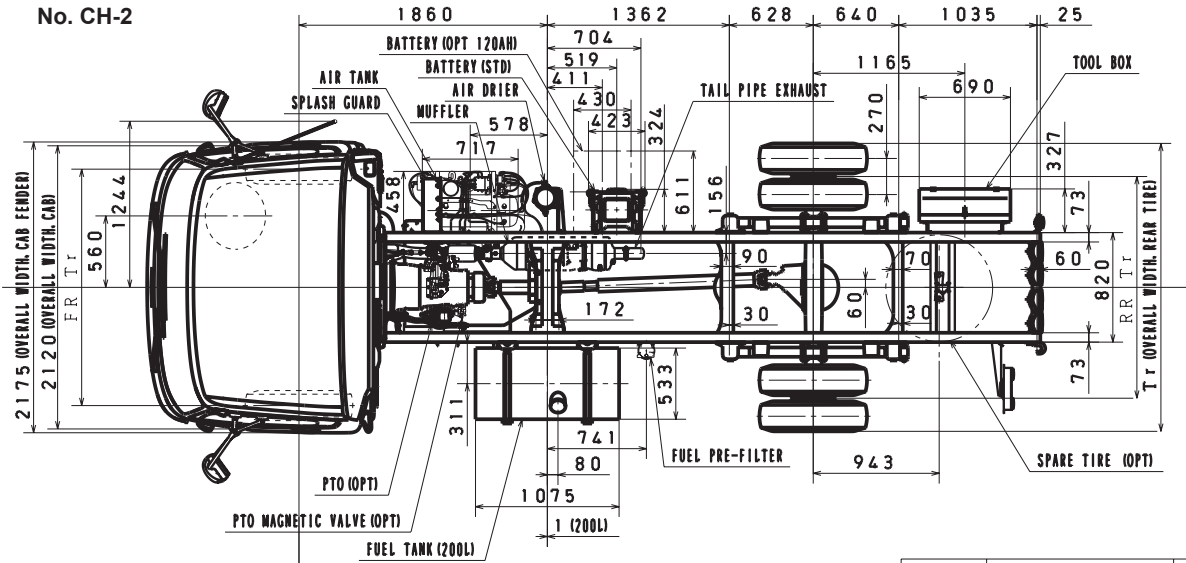
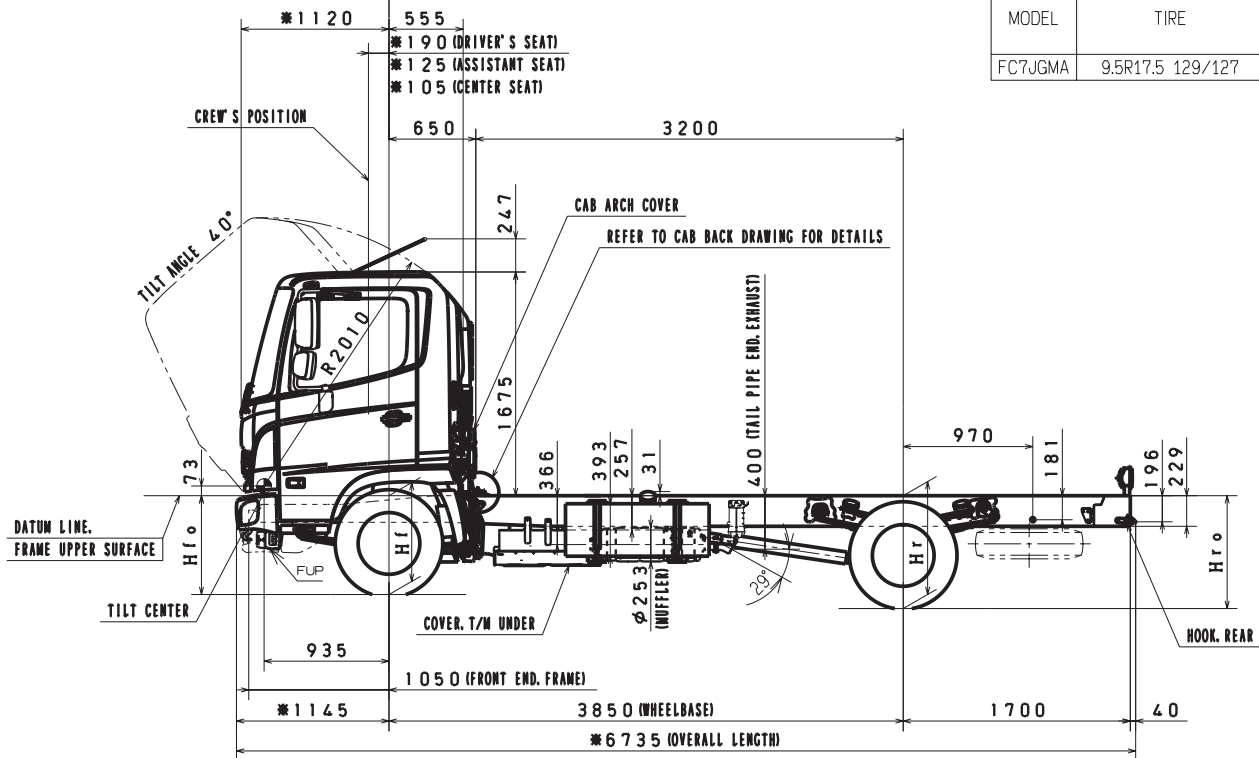


No. CH-2

Unit : mm



MODEL	TIRE	WHEEL	GROUND HEIGHT, FRAME UPPER SURFACE				FR Tr	RR Tr	Tr
			Hfo	Hf	Hr	Hro			
FC7JGMA	9.5R17.5 129/127	17.5X6.75-135-9	750	775	880	925	1770	1660	2170



NOTE: 1. Figures marked "x" dimensions are measured in parallel with the surface of the ground.
 2. The dimension of tire to be mentioned in above table shows design figure according to JATMA or ETRTO standard.