



* Illustration may contain item not standard to the model

4 x 2 Cab Chassis

KEY FEATURES

- Cruise Control
- ABS Brakes with ASR
- Easy Start – Take-off Assist
- Drivers SRS Airbag
- Heated & Electrically Operated External Mirrors
- FUP (ADR 84/00 Complied)
- ISRI 6800 Driver seat with integrated Safety Belt

KEY SPECIFICATIONS

- GVM.** 11,000kg
- GCM.** 20,000kg
- Power** 176kW @ 2400 RPM
- Torque.** 716Nm @ 1500 RPM
- Transmission** Six-speed OD synchromesh
- Wheelbase** 4250mm (Medium), 4850mm (Long),





FD 1124

FD7JJMA-HAU11 1124 Spring Medium
FD7JLMA-HAU11 1124 Spring Long

Engine & Driveline specifications

ENGINE

Model	HINO J07E-TP
Max. output (ISO NET)	176kW (240 PS) at 2400 RPM
Max. output (JIS GROSS)	180kW (245 PS) at 2400 RPM
Max. torque (ISO NET)	716Nm (73kg/m) at 1500 RPM
Max. torque (JIS GROSS)	725Nm (74kg/m) at 1500 RPM
Max. engine speed	2400 RPM
Engine compliance	ADR 80/03
Type	Diesel, turbocharged & intercooled, five-cylinder in-line, overhead camshaft & water-cooled
Combustion system	Direct injection with EGR
Bore & stroke	112 x 130mm
Piston displacement	6.403L
Compression ratio	17:1
Engine oil capacity	11.7L
Coolant capacity	23.5L
Fuel injection pump	Electronic control common rail type
Air cleaner	Dual paper elements
Air compressor type	Single cylinder, water-cooled
Bore & stroke	70 x 40mm
Fan clutch	Equipped
Exhaust	Horizontal outlet with DPR
Emission Control System	EGR & DPR meeting ADR 80/03 using EURO V Std

CLUTCH

Model	CS-350 series
Clutch disc assembly	Dry single plate with damper springs
Facing material	Molded (non-asbestos)
Facing outside diameter	350mm
Control	Hydraulic with air booster

TRANSMISSION & GEAR RATIOS

Model	LX06S Overdrive
Type	Six-forward & one reverse speeds, overdrive, synchromesh on 2nd to 6th
Control	Cable with power shift
Rear axle gear ratio	4.333:1

1st	.6.098	5th	.1.000
2nd	.3.858	6th	.0.761
3rd	.2.340	Rev.	.5.672
4th	.1.422		

PERFORMANCE

Calculations based on 11 ton GVM, 235/75R 17.5 tyre	
Engine RPM @ 100km/h	2270
Max theoretical speed (km/h)	106
Gradeability tan θ (%) @ GVM	45.1

BRAKES

Type	Hydraulic system with two leading shoes for front and rear acting on all wheels
Control	Air over hydraulic, dual circuits
Drum diameter x lining	
Width	Front: 320 x 110mm Rear: 320 x 145mm
Air dryer	Equipped
ABS	Equipped
ASR (Anti Slip Regulator)	Equipped
Brake auto-shoe adjuster	Equipped
Parking brake	Spring brake, acting on rear wheel
Exhaust brake	Electric-pneumatic with valve in exhaust pipe
Easy Start	Equipped

AXLE LOAD & TYPE

Front axle	4000kg
Rear axle	7000kg
Front axle type	LF466 series I-Beam, Reversed Elliot
Rear axle type	SH13 full-floating, single reduction, single-speed hypoid

SUSPENSION

Front suspension Type	Semi-elliptic tapered leaf springs with shock absorbers & stabiliser
Size	1300 span x 70mm width
Rear suspension Type	Semi-elliptic main & auxiliary leaf springs
Main spring	1300 span x 70mm width
Auxiliary springs	900 span x 70mm width

WHEELS & TYRES

Wheel type	Six-stud disc wheel (JIS type) PCD 222.25
Rim size	6.75 x 17.5 – offset 135mm
Tyre size	235/75R 17.5 132/130
Number of tyres	Seven (including one spare)
Spare tyre carrier	Equipped

FUEL TANK

Capacity	200L
Fuel pre-filter & sedimenter	Equipped
Fuel tank cap key	Equipped



FD 1124

FD7JJMA-HAU11 1124 Spring Medium
FD7JLMA-HAU11 1124 Spring Long

Cab, Instrumentation & Chassis

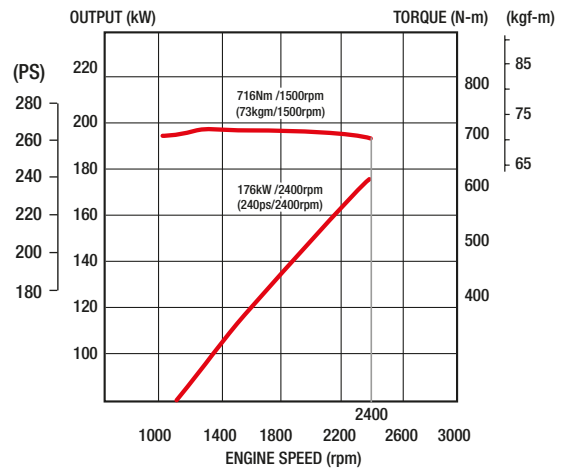
CAB DETAILS

Type	Forward control, all steel construction with torsion bar tilt mechanism
Drivers SRS Airbag	Equipped with pretensioner seatbelt
Seating capacity	Three
Driver's seat	ISRI 6800 with urethane foam pads, high-back, lumbar support, multi adjustable, air suspended, with integrated safety belt
Side passenger's seat	Urethane foam pads, high-back and reclining seat with fabric cover and under-tray
Centre passenger's seat	Urethane foam pads & foldaway type with seat back tray, fabric cover
Seat belt	3-point type on driver's and side passenger's seat, 2-point type on centre passenger's seat
Sun visor and over-head console.	For driver & passenger sides
Windshield wipers	Electric, dual, intermittent and 2-speed
Ventilator	Forced type by electric blower
Rear view mirrors	External: Electric & heated, two flat type, two convex spotters
Cigarette lighter (24V)	Equipped
Floor mat	Vinyl type
Front air spoiler	Equipped
Central locking & keyless entry	Equipped with immobiliser
Heater and defroster	Standard
Air conditioner	Equipped
Trim	Full trim type (side, roof and back)
Cab pockets	Equipped on both door sides
Power windows	Equipped
Rest area	Equipped
Car audio	DAB AM/FM radio with CD & DVD player and Bluetooth
Speakers	Driver and passenger sides
Foot rest	Equipped
Easy Start	Equipped
Engine control link	Equipped
Cup holder.	Equipped
Cruise Control	Equipped

ELECTRICAL

Type	24V, negative earth
Batteries	2 x 12V, series-connection. Capacity 65Ah at 20-hour rate
Alternator type	With built-in rectifier & voltage regulator
Capacity	24V, 60A
Starter type	24V, 4.5W
Headlamps	Halogen type including fog lamps
High/low beam	Equipped
Fluorescent reading lamp	Equipped
Electric horn	Equipped

POWER & TORQUE CHART (ISO Net) J07E-TP



INSTRUMENTS

- Meters & gauges**
 Speedometer with trip meter
 Odometer
 Tachometer
 Fuel gauge
 Coolant temperature gauge
 Air pressure gauge
- Switches**
 One-key starting-stopping
 Lighting
 Directional indicator, dimmer and passing
 Wiper and washer
 Hazard lamp
 Exhaust brake
 Map lamp
 Fog lamp
 Easy Start
 Cruise Control
 DPR regeneration
 ASR off
 Mirror controls
- Warning, pilot lamps & buzzers**
 Oil pressure warning lamp & buzzer
 Air pressure warning lamp & buzzer
 Engine over-run warning buzzer
 Coolant level warning lamp & buzzer
 Brake fluid level warning lamp & buzzer
 Brake adjustment warning lamp & buzzer
 High beam indicator lamp
 Turn signal indicator lamp
 Parking brake indicator lamp
 Seat belt warning lamp & buzzer
 Exhaust brake indicator lamp
 Engine control system warning lamp
 Hazard indicator lamp
 Back-up warning buzzer
- Others**
 Idle up control knob
 Horn button
 12V electric source

STEERING

Type	Telescopic and tilt steering column with locking device. Recirculating ball with Integral Power Steering
Gear ratio	18.6:1
Steering angle	Inside: 50-53° Outside: 39°

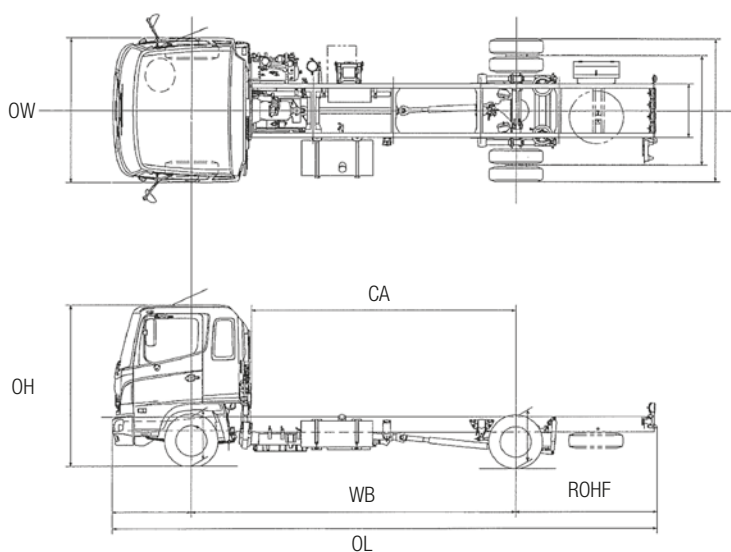
CHASSIS FRAME

Type	Ladder-shaped channel section side rails
Rear chassis width	820mm
Main section (depth x flange x thickness)	228.6 x 73 x 5.2mm (Medium) 231.6 x 73 x 6.5mm (Long) 231 x 73 x 6.5mm (X Long)
Inner section (depth x flange x thickness)	218 x 60 x 3.2mm
Tensile strength	Main: 540N/mm ² {55 kgf/mm ² } Inner: 440N/mm ² {45 kgf/mm ² }
Hooks	Equipped for front and rear
Factory FUP	Equipped



FD 1124

Dimensions



DIMENSIONS - mm / Capacities

Model	Hino FD 1124	Medium	Long
Production code	FD7JJMA-HAU11	FD7JLMA-HAU11	
Wheelbase (WB)	4250	4850	
Overall length (OL)	7285	8135	
Overall width (OW)	2175	2175	
Overall height (OH)	2450	2450	
Cab to rear axle centre (CA)	3350	3950	
Rear overhang (at frame end) (ROHF)	1810	2060	
Front chassis height (HF)	765	765	
Rear chassis height (HR)	855	855	
Road clearance (at diff. case) (RC)	195	195	
Front track (FT)	1780	1780	
Rear track (RT)	1660	1660	
Turning circle kerb to kerb	13,400	15,200	
Turning circle wall to wall	14,800	16,600	
Chassis mass – kg (standard tools, 10 litres of fuel, without spare tyre)			
Total	3275	3365	
Front	2220	2265	
Rear	1055	1100	
GVM	11,000	11,000	
GCM	20,000	20,000	

WARRANTY

New vehicle warranty period

Medium Duty Model	Axle configuration	Standard warranty <small>(whichever comes first)</small>	Engine & Powerlines <small>(whichever comes first)</small>
500 FD 1124	4 x 2	24 months or 100,000 km	36 months or 150,000 km

DISCLAIMER

Important notice. Hino Trucks are distributed in New Zealand by Hino Distributors (NZ) Ltd.

All efforts have been made to ensure the information contained in this brochure was correct at time of printing or uploading. Hino Distributors (NZ) Ltd reserves the right to alter any details of the specifications and equipment without notice. Hino in so far as it is permitted by law to do so, shall not be liable in any way as a result of any reliance placed by any person on anything contained in this brochure. You should therefore check with your authorised Hino dealer at the time of ordering your motor vehicle to ensure that colour, specifications, equipment, design features and options are available for the vehicle you are ordering. Please note that some options may only be available in combination with others. Authorised Hino dealers will on request provide up to date information on all accessories, design features, prices and availability.

Date of issue - 01/04/12 FD 1124 V3.3