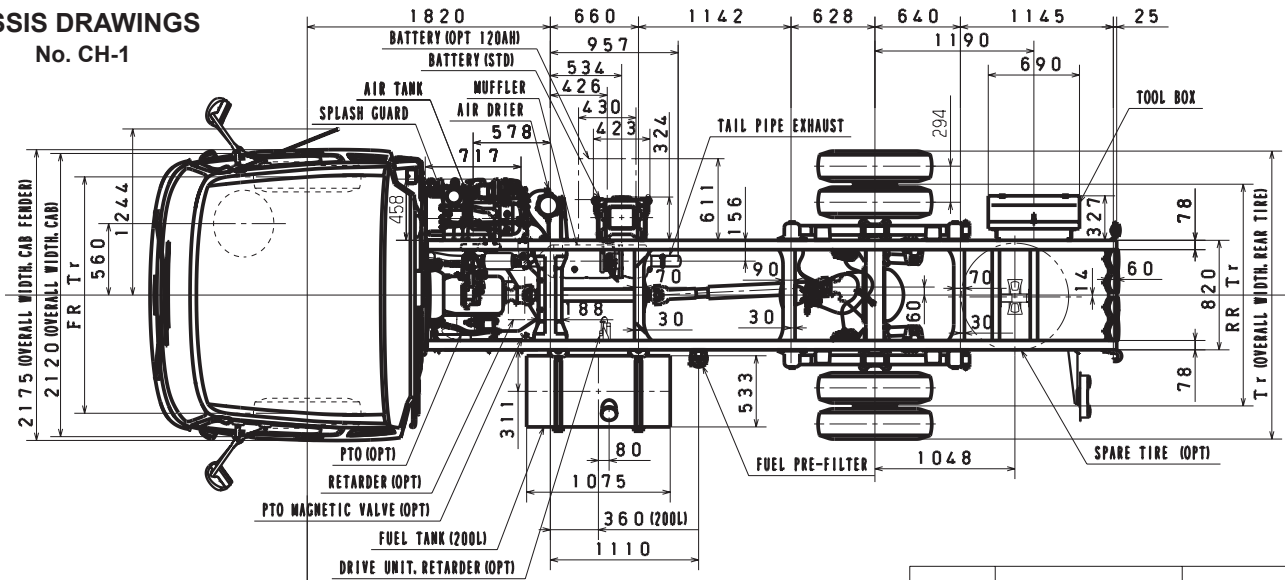


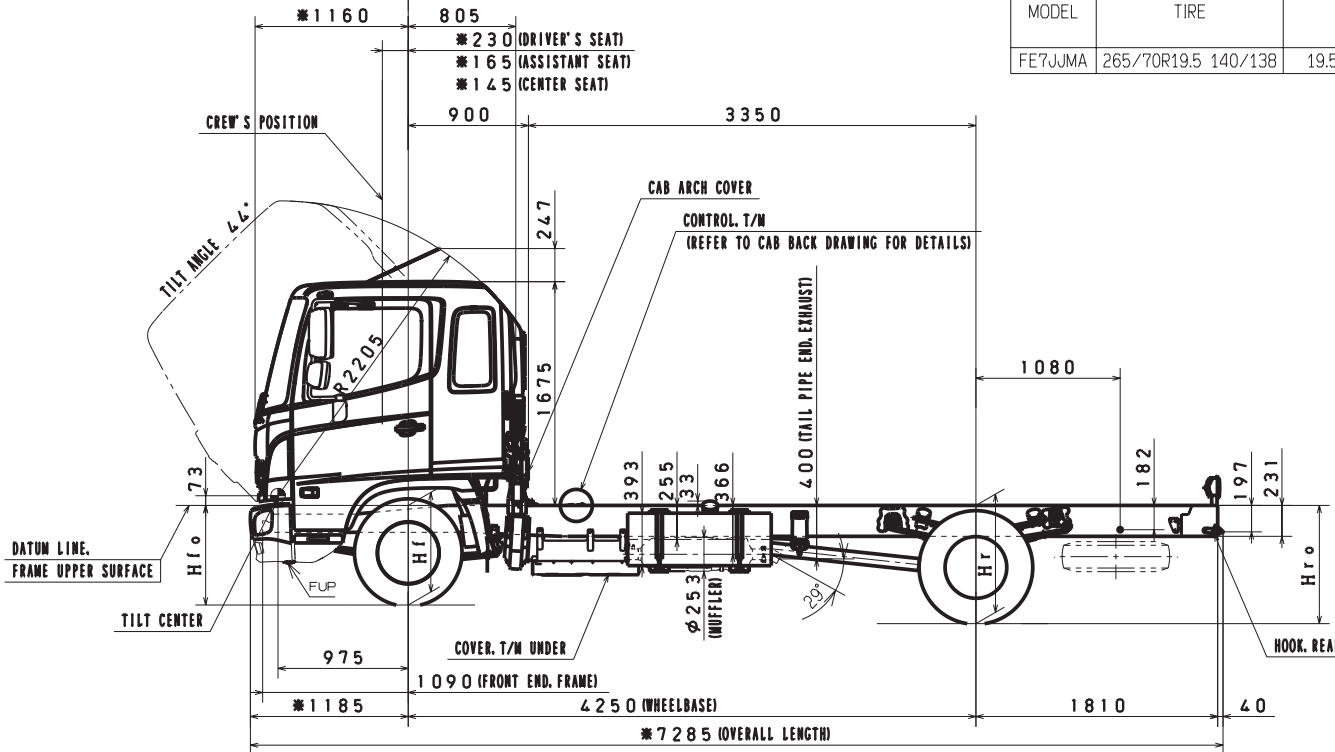
3. CHASSIS DRAWINGS

No. CH-1

Unit : mm



| MODEL | TIRE | WHEEL | GROUND HEIGHT, FRAME UPPER SURFACE | | | | FR Tr | RR Tr | Tr |
|---------|---------------------|------------------|------------------------------------|-----|-----|-----|-------|-------|------|
| | | | Hf0 | Hf | Hr | Hr0 | | | |
| FE7JJMA | 265/70R19.5 140/138 | 19.5X6.75-147-12 | 785 | 815 | 925 | 970 | 1760 | 1690 | 2240 |



NOTE: 1. Figures marked "*" dimensions are measured in parallel with the surface of the ground.
 2. The dimension of tire to be mentioned in above table shows design figure according to ETRTO standard.