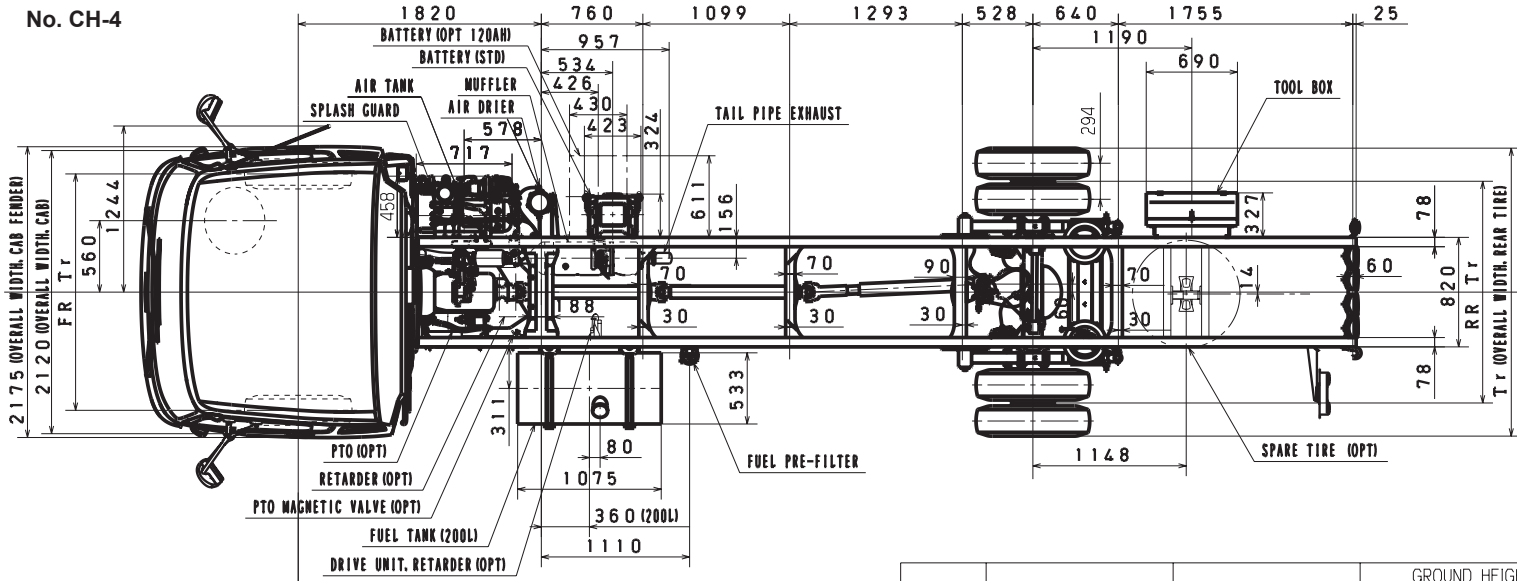
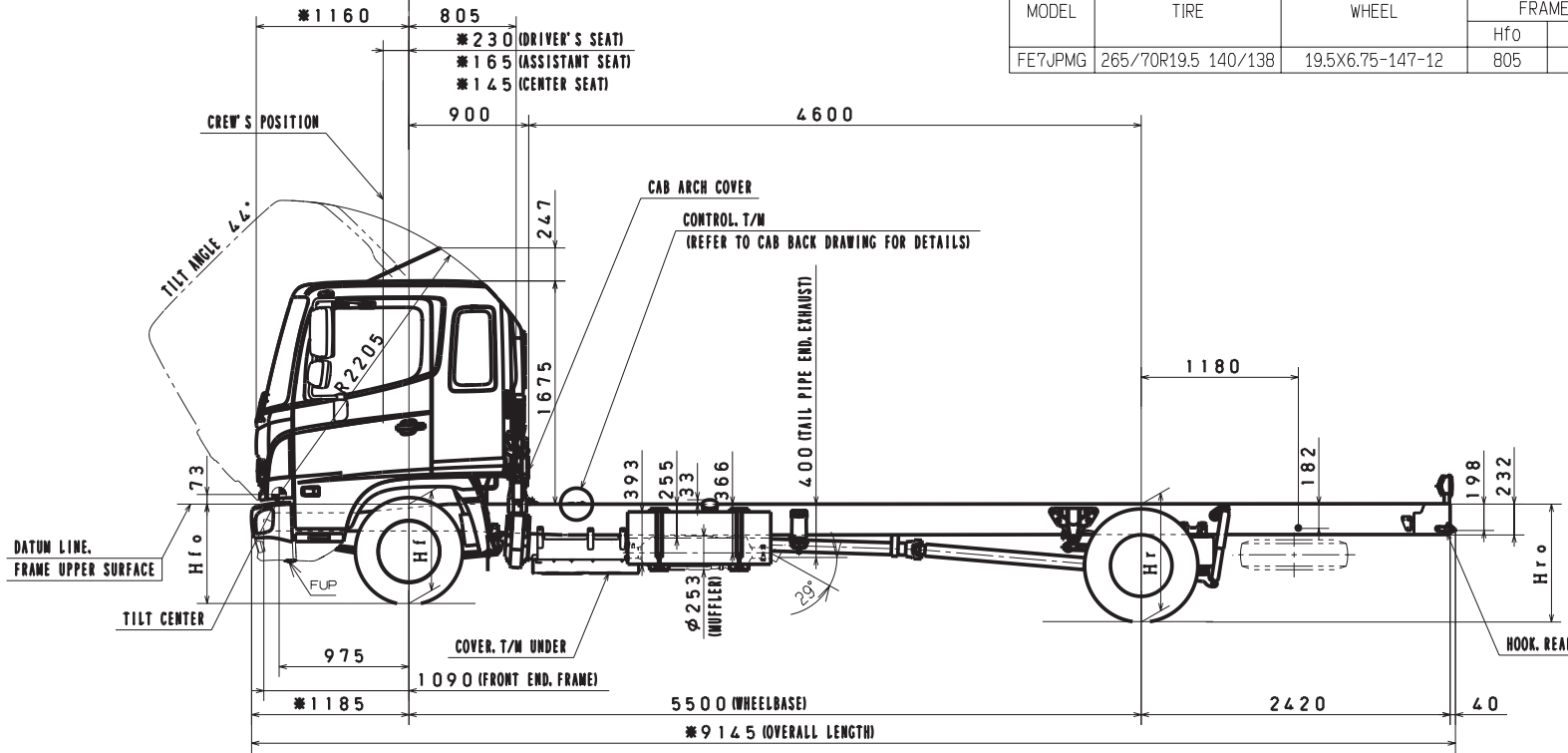


Unit : mm



MODEL	TIRE	WHEEL	GROUND HEIGHT, FRAME UPPER SURFACE				FR Tr	RR Tr	Tr
			Hf0	Hf	Hr	Hr0			
FE7JPMG	265/70R19.5 140/138	19.5X6.75-147-12	805	810	840	855	1760	1690	2240



NOTE: 1.Figures marked "*" dimensions are measured in parallel with the surface of the ground.
2.The dimension of tire to be mentioned in above table shows design figure according to ETRTO standard.