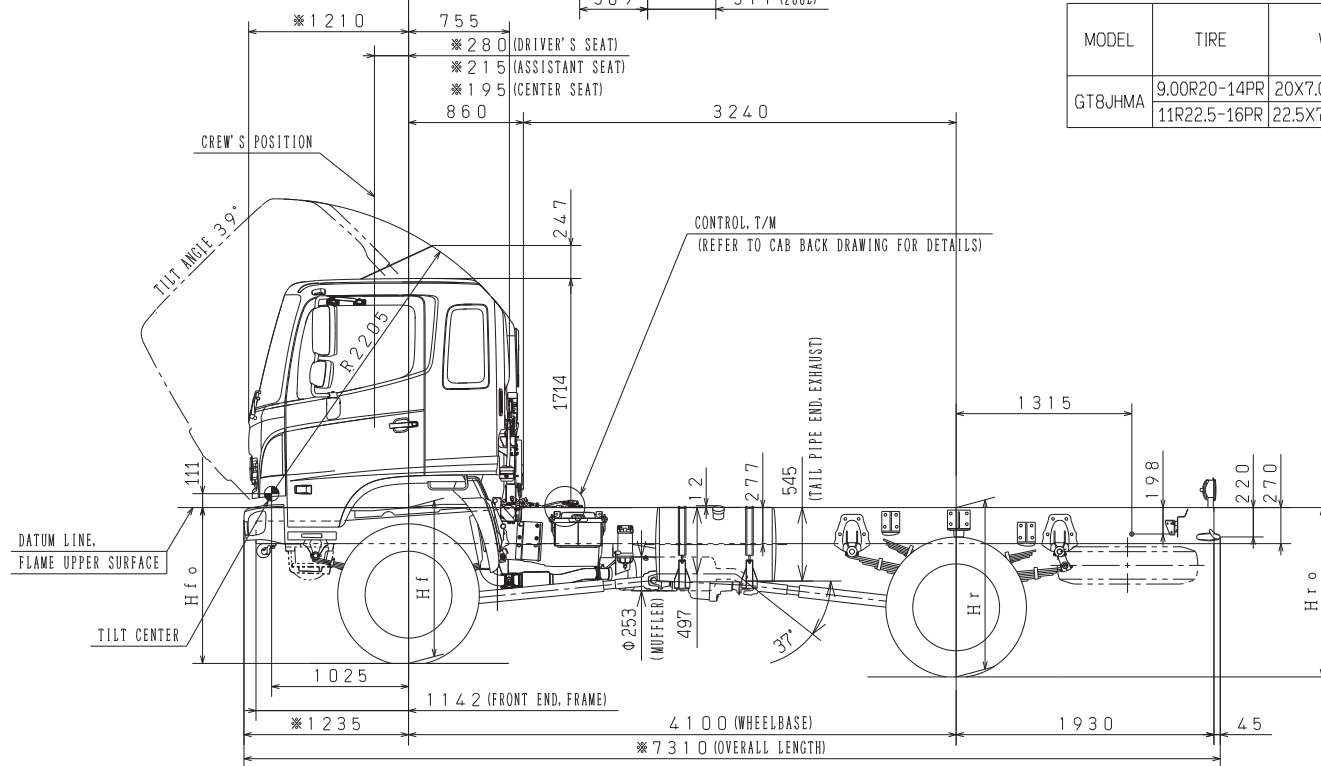
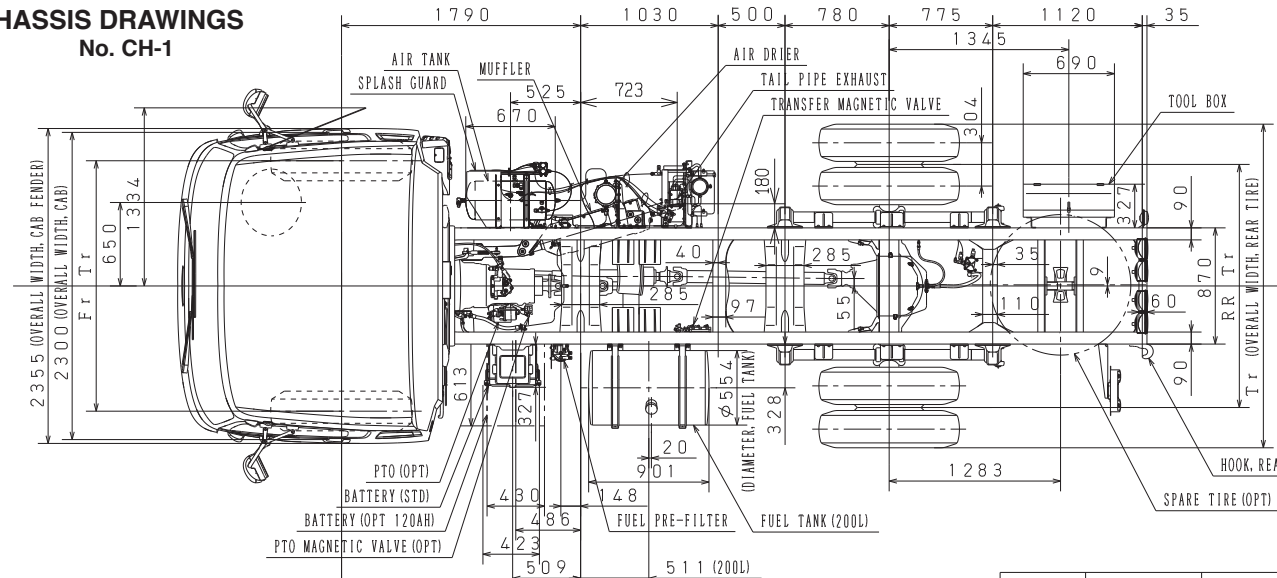


3. CHASSIS DRAWINGS
No. CH-1

Unit : mm



MODEL	TIRE	WHEEL	GROUND HEIGHT, FRAME UPPER SURFACE				FR Tr	RR Tr	Tr
			Hfo	Hf	Hr	Hro			
GT8JHMA	9.00R20-14PR	20X7.00T-152-11	1095	1115	1205	1245	1950	1820	2380
	11R22.5-16PR	22.5X7.50-162-13	1110	1130	1220	1260	1930	1825	2420

NOTE: 1. Figures marked "*" dimensions are measured in parallel with the surface of the ground.
2. The dimension of tire to be mentioned in above table shows design figure according to JATMA or ETRTO standard.