



300
S E R I E S

815 Auto



KEY FEATURES

- Wide Cabin
- Dual SRS Airbags
- Disc Brakes
 - Front & Rear
 - ABS, VSC & TRC – all STD
- Energy Absorbing Steering Wheel
- Driver's suspension seat
- Emission Standard Euro 5

KEY SPECIFICATIONS

- GVM** 7300kg, optional 5995kg
- GCM** 7300kg
- Engine** . . . 4.0-litre, Common Rail, Direct Injection
Turbocharged and Intercooled
- Power** 110kW (150Hp) @ 2500 RPM (ISO)
- Torque** 420Nm @ 1400 RPM (ISO)
- Wheelbase** 3430mm





815 Auto

XZU710R-HKTRSQ3

815 Medium Auto

Engine, Driveline & Chassis specifications

ENGINE

Engine	Hino N04C US
Max output (ISO Net)	110kW (150Hp) at 2500 RPM
Max torque (ISO Net)	420Nm at 1400 RPM
Maximum engine speed	3100 RPM
Type	Diesel, four cycle, four-cylinder in line, overhead valve, water cooled
Combustion system	Direct injection type
Bore & stroke	104 x 118mm
Piston displacement	4.009 litres
Fuel injection system	Electronic control, common rail type
Air intake system	Turbo inter-cooled, stack-type air intake
Air cleaner	Paper element
Fan clutch	Equipped
Exhaust system	Catalytic Converter with Diesel Particulate Active Reduction System (DPR)
Exhaust outlet	Horizontal
Emission control system	EGR & DPR meeting Euro 5 emission levels

TRANSMISSION

Model	A860E
Type	Automatic six speed with double overdrive

BRAKES

Service brakes	Hydraulic system with ventilated disc brakes front and rear
Control	Vacuum servo with hydraulic assist & dual circuits
Front disc diameter	287mm
Rear disc diameter	287mm
Anti-lock system (ABS)	Equipped
Vehicle Stability Control	Equipped
Traction Control	Equipped
Easy Start System	Equipped
Exhaust brake	Electric-vacuum actuator with valve in exhaust pipe
Park brake	Rear of transmission

PERFORMANCE & GEAR RATIOS

Engine RPM @ 100km/h	2300
Maximum speed (km/h)	135
Gradeability tan θ % @ GVM	60.0
Final drive ratio	5.125:1

A860E

1st	3.743	5th	0.773
2nd.	2.003	6th	0.634
3rd	1.343	Rev.	3.697
4th	1.000		

AXLE LOAD & TYRE LOAD LIMITS

Front Axle	3100kg
Tyres	2800kg
Rear axle	5500kg
Tyres	5280kg
Front axle type	I Beam
Rear axle type	SH12 full-floating, single reduction, single speed by Hypoid gears

SUSPENSION

Front Suspension

Leaf	Semi-elliptic taper leaf springs with shock absorbers & stabiliser
Spring dimensions, span & width	1250mm x 70mm

Rear Suspension

Leaf	Semi-elliptic main and auxiliary tapered Leaf springs with silencers and shock absorbers
Spring dimensions, span & width	1310mm x 70mm
Auxiliary springs.	900mm x 70mm

WHEEL & TYRES

Wheel type	6-stud disc wheel
Wheel & rim size	215/85R16 120/118 & 16x5.5K
Number of tyres	Seven including spare
Spare tyre carrier	Equipped

ELECTRICAL

Type	24 volt, negative earth
Batteries	12V x 2, series connected
Alternator type	Built-in rectifier and voltage regulator
Capacity	24V – 80 Amp
Starter Capacity.	24V, 4.5kW



815 Auto

XZU710R-HKTRSQ3 815 Medium Auto

Cab Equipment & Instrumentation

CHASSIS FRAME

Type	Ladder-shaped channel section side rails
Chassis width at rear	750mm
Max section (depth x flange x thickness)	192.8 x 65 x 5.9mm
Tensile strength	540N/mm ²
Towing hooks	Equipped at front and rear
Front bumper	Painted to cabin colour

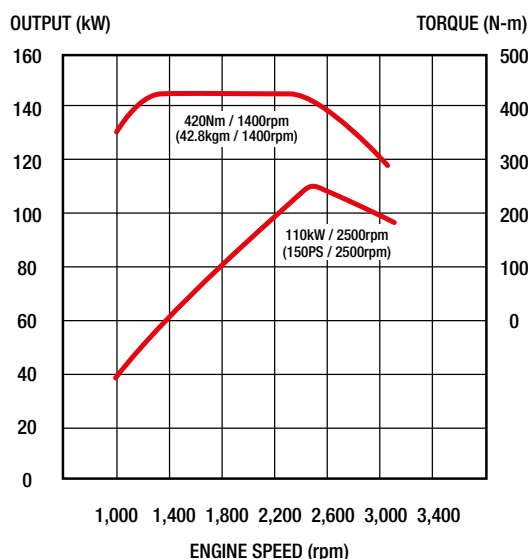
CAB EXTERIOR

Type	Forward control, all steel welded construction, torsion-bar tilt mechanism, fully trimmed
Windscreen wipers	Electric, dual wipers, intermittent and 2-speed
Outside rear mirrors	Two, pillar mounted curved
Radiator grille	Painted same colour as cabin
Lamps	Halogen headlamps, fog lamps

CAB INTERIOR

Steering	Telescopic tilt column with integral power steering
Windscreen glass	Laminated glass
Seating capacity	Three
Driver's seat	4-way adjustable, urethane foam pads, high-back seat, lumbar support & suspension base
Assistant's seat	Fixed bench, urethane foam pads, high-back seat
Seat cover	Fabric cover
Seat Belts	
Driver's seat	3-point type with ELR and pre-tensioner
Assistant's seat	3-point type with ELR and pre-tensioner
Centre passenger's seat	2-point type
Front Sun visors	For driver and passenger
Ventilator	Forced type by electric blower
Inside rear mirror	One, flat type
Cigarette lighter (24 volt)	Equipped
Audio	AM/FM radio with CD player
Heater and defroster	Equipped
Air conditioner	Equipped
Remote door locking	Equipped
Immobiliser	Equipped
Power Windows	Equipped
SRS airbag	Equipped for driver and left side passenger
Seat back console	Equipped (centre)
Overhead consoles	For driver and passenger
Cup holder	Equipped

POWER & TORQUE CHART (ISO NET) N04C US



INSTRUMENTS

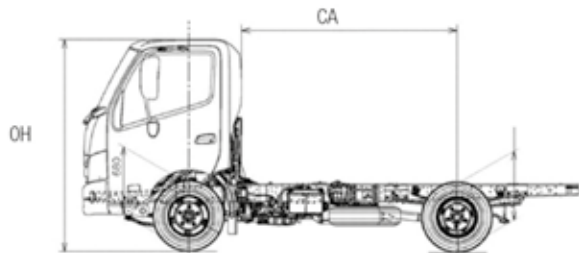
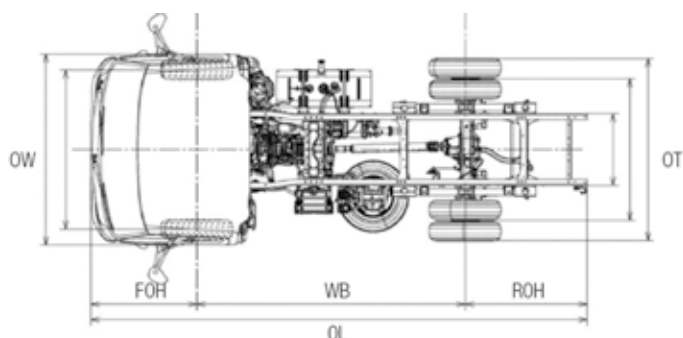
- | | |
|---|--|
| <p>1. Meters and gauges
km-kg system
Engine tachometer</p> <p>2. Warning, pilot lamps and buzzers
Turning signal & hazard indicator lamp
Exhaust brake indicator lamp
Engine oil pressure warning lamp
Battery charge warning lamp
High beam indicator lamp
Parking brake indicator lamp
Engine malfunction indicator lamp
Fuel level warning lamp
Fuel filter water accumulating
Level warning lamp
Brake fluid level warning lamp
Back-up warning buzzer
Cab-tilt warning lamp
ABS system failure warning lamp
SRS airbag system failure warning lamp</p> <p>3. Switches
Lighting switch
Wiper and washer switch
Exhaust brake switch
Traction Control OFF</p> | <p>4. Multi Information Display
Fuel gauge
Coolant temperature gauge
DPR accumulation gauge
Odometer
2 trip meters
Fuel consumption
- Current
- Average</p> <p>5. Others
One-key starting-stopping
Horn button
Remote door locking</p> |
|---|--|

STEERING

Type	Telescopic and tilt steering column with locking device. Rack & pinion with integral power steering
Steering angle	Inside: 51° Outside: 36°



815 Auto Dimensions



DIMENSIONS - mm / Capacities

Model	815 Medium Auto
Product Code	.XZU710R-HKTRSQ3
Wheelbase (WB)	3430
Overall tyre width (OT)	1975
Overall length (OL)	6185
Overall width (OW)	1995
Overall height (OH)	2220
Front track	1665
Rear track	1520
Cab to axle centre (CA)	2870
Front overhang (FOH)	1110
Rear overhang (ROH)	1645
Cab to end of frame	4515
Front chassis height	.710
Rear chassis height	.795
Road clearance	.190
Turning circle – m (kerb-to-kerb)	11.6
Turning circle – m (wall-to-wall)	13.0
Fuel tank – lt	.100
Indicative chassis mass – kg (standard tools, 10 litres of fuel, without spare tyre)	
Total	2400
Front	1630
Rear	.770
GVM Rating*	7300
GCM Rating	7300

*Std GVM = 7300 OPT 5995

WARRANTIES

New vehicle warranty period

Light Duty Model	Axle Configuration	Standard Warranty <small>(whichever comes first)</small>	Engine & Powerlines <small>(whichever comes first)</small>
815 Medium Auto	4 x 2	36 months or 100,000kms	36 months or 100,000kms

For detailed warranty conditions, please refer to Hino Truck Warranty brochure.

DISCLAIMER

Important notice. Hino Trucks are distributed in New Zealand by Hino Distributors (NZ) Ltd.

All effort has been made to ensure the information contained in this brochure was correct at time of printing. Hino Distributors (NZ) Ltd reserves the right to alter any details of the specifications & equipment without notice. Hino in so far as it is permitted by law to do so, shall not be liable in any way as a result of any reliance placed by any person on anything contained in this brochure. You should therefore check with your authorised Hino dealer at the time of ordering your motor vehicle to ensure that colour, specifications, equipment, design features & options are available for the vehicle you are ordering. Please note that some options may only be available in combination with others. Authorised Hino dealers will on request provide up to date information on all accessories, design features, prices & availability.