



ADR 80/03 Model
4 x 2 Tipper

* Illustration may contain item not standard to the model

KEY FEATURES

- Factory 3.6m & 4.0m Length Tipper Body
- Cruise Control
- ABS Brakes
- Easy Start – Take-off Assist
- Brake Lock System
- Drivers SRS Airbag
- Heated & Electrically Operated External Mirrors
- FUP (ADR 84/00 Complied)
- ISRI 6800 Driver seat with integrated Safety Belt

KEY SPECIFICATIONS

| | |
|---------------------|-----------------------|
| GVM. | 10,400kg |
| GCM. | 16,000kg |
| Power | 162kW @ 2400 RPM |
| Torque. | 647Nm @ 1500 RPM |
| Transmission | Six-speed synchromesh |
| Wheelbase | 3420mm (Compact-36) |
| | 3850mm (Short-40) |





FC 1022 Tipper

FC7JEMM-ANU D Compact 3.6 Tipper
FC7JGMA-ANU D Short 4.0 Tipper

Engine & Driveline specifications

ENGINE

| | |
|-------------------------|---|
| Model | Hino J07E-TR |
| Max. output (ISO NET) | 162kW (220 PS) at 2400 RPM |
| Max. output (JIS GROSS) | 165kW (225 PS) at 2400 RPM |
| Max. torque (ISO NET) | 647Nm (51kgf/m) at 1500 RPM |
| Max. torque (JIS GROSS) | 667Nm (52kgf/m) at 1500 RPM |
| Max. engine speed | 2400 RPM |
| Engine compliance | ADR 80/03 |
| Type | Diesel, turbocharged & intercooled, five-cylinder in-line, overhead camshaft & water-cooled |
| Combustion system | Direct injection with EGR |
| Bore & stroke | 112 x 130mm |
| Piston displacement | 6.403L |
| Compression ratio | 17.1:1 |
| Engine oil capacity | 11.7L |
| Coolant capacity | 25L |
| Fuel injection pump | Electronic control common-rail type |
| Intake system | Stake-type air intake |
| Air cleaner | Dual paper elements |
| Air compressor type | Single cylinder, water-cooled |
| Bore & stroke | 70 x 40mm |
| Fan clutch | Equipped |
| Exhaust | Horizontal outlet with DPR |
| Emission Control System | EGR & DPR meeting ADR 80/03 using EURO 5 Std |

CLUTCH

| | |
|-------------------------|--------------------------------------|
| Model | CS-350 series |
| Type | Dry single plate with damper springs |
| Facing material | Moulded (non-asbestos) |
| Facing outside diameter | 350mm |
| Control | Hydraulic with air booster |

TRANSMISSION & GEAR RATIOS

| | |
|----------------------|---|
| Model | LX06S Overdrive |
| Type | Six forward and one reverse speeds, synchromesh on 2nd to 6th |
| Control | Cable with power shift |
| Rear axle gear ratio | 4.33:1 |

| | | | |
|-----|--------|------|--------|
| 1st | .6.098 | 5th | .1.000 |
| 2nd | .3.858 | 6th | .0.761 |
| 3rd | .2.340 | Rev. | .5.672 |
| 4th | .1.422 | | |

PERFORMANCE

| | |
|---|--------|
| Calculations based on 10.4 ton GVM, 9.5R17.5 tyre | |
| Engine RPM @ 100km/h | 2125 |
| Max theoretical speed (km/h) | 112 |
| Gradeability tan θ (%) @ GVM | 39.9 |
| Rear axle ratio | 4.33:1 |

BRAKES

| | |
|---------------------------|---|
| Type | Hydraulic system with two leading shoes for front and rear acting on all wheels |
| Control | Air over hydraulic, dual circuits |
| Drum diameter x lining | |
| Width | Front: 320 x 110mm Rear: 320 x 145mm |
| Air dryer | Equipped |
| ABS | Equipped |
| ASR (Anti Slip Regulator) | Equipped |
| Brake lock system | Equipped |
| Parking brake | Mechanical, internal, expanding acting on transmission output shaft |
| Exhaust brake | Electric-pneumatic with valve in exhaust pipe |
| Easy Start | Equipped |

AXLE LOAD & TYPE

| | | |
|-----------------|---|--------|
| Axle load limit | Front axle | 3600kg |
| | Rear axle | 7000kg |
| Front axle type | LF366 series, Reversed Elliot I Beam | |
| Rear axle type | SH13 full-floating, single reduction, single-speed hypoid | |

SUSPENSION

| | |
|-----------------------|---|
| Front suspension Type | Semi-elliptic tapered leaf springs with shock absorbers |
| Size | 1300 span x 70mm width |
| Rear suspension Type | Semi-elliptic main & auxiliary leaf springs |
| Main springs | 1300 span x 70mm width |
| Auxiliary springs | 900mm span x 70mm width |

WHEELS & TYRES

| | |
|--------------------|---|
| Wheel type | Six-stud disc wheel (JIS type) PCD 222.25 |
| Rim size | 6.75 x 17.5 – offset 135mm |
| Tyre size | 9.5R17.5-129/127 |
| Number of tyres | Seven (including one spare tyre) |
| Spare tyre carrier | Equipped |

FUEL TANK

| | |
|------------------------------|----------|
| Capacity | 200L |
| Fuel pre-filter & sedimenter | Equipped |
| Fuel tank cap key | Equipped |



FC 1022 Tipper

FC7JEMM-ANU D Compact 3.6 Tipper
FC7JGMA-ANU D Short 4.0 Tipper

Cab, Instrumentation & Chassis

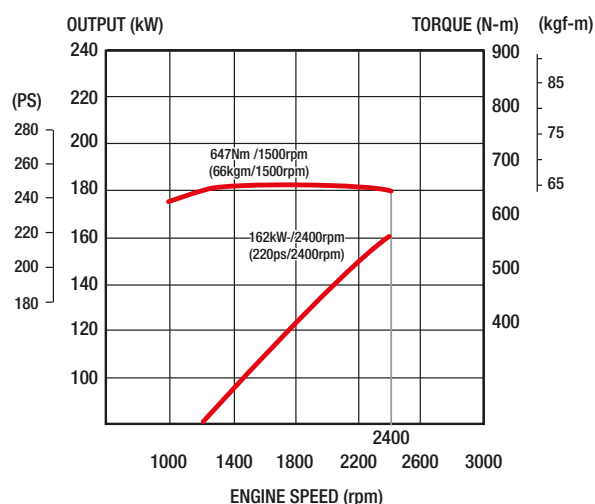
CAB DETAILS

| | |
|---|--|
| Type | Forward control, all-steel construction with torsion bar tilt mechanism |
| Drivers SRS Airbag | Equipped with Pretensioner Seatbelt |
| Seating capacity | Three |
| Driver's seat | ISRI 6800 with urethane foam pads, high-back, lumbar support, multi adjustable, air suspended, with integrated safety belt |
| Side passenger's seat | Urethane foam pads, high-back and reclining seat with fabric cover and under-tray |
| Centre passenger's seat | Urethane foam pads & foldaway type with seat-back tray and fabric cover |
| Seat belt | Three-point type on driver's & side passenger's seat, 2-point type on centre passenger's seat |
| Sun visor & overhead console | For driver & passenger sides |
| Windshield wipers | Electric, dual, intermittent and 2-speed |
| Ventilator | Forced type by electric blower |
| Rear view mirrors | External: Electric & heated, two flat type, two convex spotters |
| Cigarette lighter (24V) | Equipped |
| Floor mat | Vinyl type |
| Front air spoiler | Equipped |
| Central locking & keyless entry | Equipped with immobiliser |
| Heater & defroster | Standard |
| Air conditioner | Standard |
| Trim | Full trim type (side, roof and back) |
| Cab pockets | Equipped on both door sides |
| Power windows | Equipped |
| Car audio | DAB+ AM/FM radio / CD & DVD player with Bluetooth |
| Speakers | Driver & passenger sides |
| Foot rest | Equipped |
| Easy Start | Equipped |
| Engine control link | Equipped |
| Cup holder | Equipped |
| Cruise Control | Equipped |

ELECTRICAL

| | |
|------------------------------------|--|
| Type | 24V, negative earth |
| Batteries | 2 x12V, series connection. Capacity 65Ah at 20-hour rate |
| Alternator type | Brushless with built-in rectifier and voltage regulator. Capacity 24V, 60A |
| Starter type | 24V, 4.5kW |
| Headlamps | Halogen type including fog lamps |
| High/low beam | Equipped |
| Fluorescent reading lamp | Equipped |
| Electric horn | Equipped |

POWER & TORQUE CHART (ISO Net) J07E-TR



INSTRUMENTS

- Meters & gauges**
 - Speedometer with trip meter
 - Odometer
 - Tachometer
 - Fuel gauge
 - Coolant temperature gauge
 - Air pressure gauge
- Switches**
 - One-key starting-stopping
 - Lighting
 - Directional indicator, dimmer & passing
 - Wiper and washer
 - Hazard lamp
 - Exhaust brake
 - Map lamp
 - Fog lamp
 - Easy Start
 - DPR regeneration
 - ASR off
 - Mirror controls
- Warning, pilot lamps & buzzers**
 - Oil pressure warning lamp & buzzer
- Air pressure warning lamp & buzzer**
- Engine over-run warning buzzer**
- Coolant level warning lamp & buzzer**
- Brake fluid level warning lamp & buzzer**
- Brake adjustment warning lamp & buzzer**
- High beam indicator lamp**
- Turn signal indicator lamp**
- Parking brake indicator lamp**
- Seat belt warning lamp & buzzer**
- Exhaust brake indicator lamp**
- Engine control system warning lamp**
- Hazard indicator lamp**
- Back-up warning buzzer**
- Others**
 - Idle up control knob
 - Horn button
 - 12V electric source
 - PTO Engagement switch
 - Tipper control Raise / Hold & Lower lever

STEERING

| | |
|--------------------------|--|
| Type | Telescopic & tilt steering column with locking device. Recirculating ball with Integral Power Steering |
| Gear ratio | 18.6:1 |
| Steering angle | Inside: 50-53° Outside: 39° |

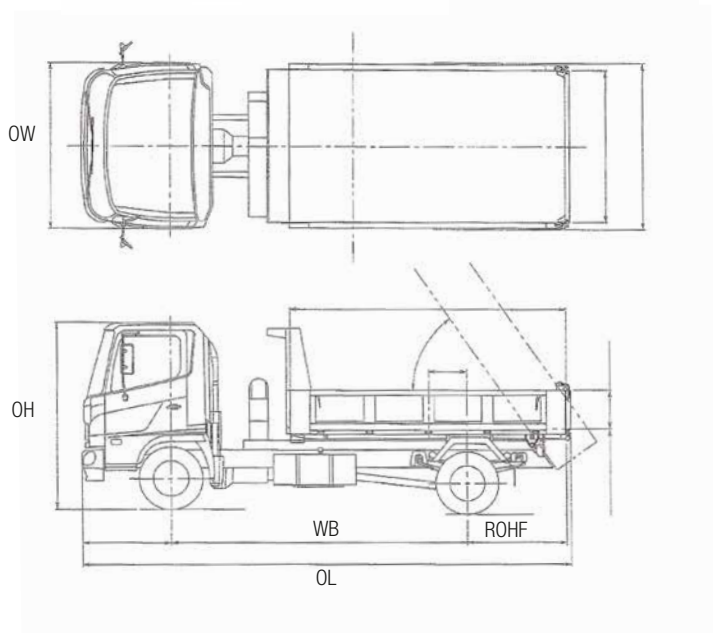
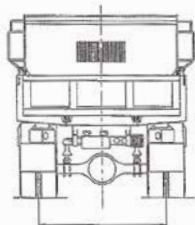
CHASSIS FRAME / TIPPER PLATING

| | |
|---|--|
| Type | Ladder-shaped channel-section side rails |
| Rear chassis width | 820mm |
| Max. section (depth x flange x thickness) | 229.4 x 78 x 5.7mm (Compact) 228.4 x 73 x 5.2 (Short 3.6 & 4.0) |
| Tensile strength | 540N/mm ² {55kgf/mm ² } |
| Hooks | Equipped for front & rear |
| Steel plate deck thickness | 6.0mm |
| Side, front & tailgate | 3.2mm |
| Factory FUP | Equipped |



FC 1022 Tipper

Dimensions



DIMENSIONS - mm / Capacities

| | | |
|--|-----------------------------|-----------------------------|
| Model Hino FC 1022 | Compact 36 | Short 4.0 |
| Production code | FC7JEMM-ANU D | FC7JGMA-ANU D |
| Wheelbase (WB) | 3420 | 3850 |
| Overall length (OL) | 5900 | 6660 |
| Overall width (OW) | 2190 | 2250 |
| Overall height (OH) | 2450 | 2450 |
| Inside length | 3600 | 4000 |
| Inside width | 2000 | 2060 |
| Road clearance (at diff. case) (RC) | 220 | 220 |
| Deck height | 1100 | 1100 |
| Front track (FT) | 1770 | 1770 |
| Rear track (RT) | 1660 | 1660 |
| Turning circle kerb to kerb | 11,200 | 12,400 |
| Turning circle wall to wall | 12,600 | 13,800 |
| Tipper volume | 3.6m ³ | 3.5m ³ |
| Tipping angle | 55 | 50' |
| Internal measurements (L x W x H) | | |
| | 3600 x 2000 x 510 | 4000 x 2060 x 430 |
| Two way gate hinging top & bottom | Equipped | N/A |
| Two way gate hinging top & side | N/A | Equipped |
| Body Lock | N/A | N/A |
| Chassis mass – kg (standard tools, 10 litres of fuel, without spare tyre) | | |
| Total. | 4595 | 4735 |
| Front | 2436 | 2406 |
| Rear. | 2159 | 2329 |
| GVM | 10,400 | 10,400 |
| GCM | 16,000 | 16,000 |

WARRANTY

New vehicle warranty period

| Medium Duty Model | Axle configuration | Standard warranty <small>(whichever comes first)</small> | Engine & Powerlines <small>(whichever comes first)</small> |
|---------------------------|--------------------|---|---|
| 500 FC 1022 Tipper | 4 x 2 | 24 months or 100,000km | 36 months or 150,000km |

DISCLAIMER

Important notice. Hino Trucks are distributed in New Zealand by Hino Distributors (NZ) Ltd.

All efforts have been made to ensure the information contained in this brochure was correct at time of printing or uploading. Hino Distributors (NZ) Ltd reserves the right to alter any details of the specifications and equipment without notice. Hino in so far as it is permitted by law to do so, shall not be liable in any way as a result of any reliance placed by any person on anything contained in this brochure. You should therefore check with your authorised Hino dealer at the time of ordering your motor vehicle to ensure that colour, specifications, equipment, design features and options are available for the vehicle you are ordering. Please note that some options may only be available in combination with others. Authorised Hino dealers will on request provide up to date information on all accessories, design features, prices and availability.

Date of issue - 01/01/12 FC 1022 T V3.2