



## KEY FEATURES

- Wide Cabin
- Dual SRS Airbags
- Easy Start – Take Off Assist
- Disc Brakes
  - Front & Rear
  - ABS, VSC & TRC – all STD
- Energy Absorbing Steering Wheel
- Driver's suspension seat
- Emission Standard Euro 5

## KEY SPECIFICATIONS

- GVM** . . . . . 6500kg, optional 5995kg
- GCM** . . . . . 10,000kg
- Engine** . . . 4.0-litre, Common Rail, Direct Injection  
. . . . . Turbocharged and Intercooled
- Power** . . . . . 121kW (165Hp) @ 2500 RPM (ISO)
- Torque** . . . . . 464Nm @ 1400 RPM (ISO)
- Wheelbase** . . . . . 3430mm





# 717

XZU710R-HKFQTQ3

717 Medium

# Engine, Driveline & Chassis specifications

## PERFORMANCE & GEAR RATIOS

Engine RPM @ 100km/h . . . . . 2390  
 Maximum speed (km/h) . . . . . 126  
 Gradeability tan  $\theta$ % @ GVM . . . . . 57.4  
 Final drive ratio . . . . . 4.1:1

### MZZ6F

1st . . . . .	6.339	5th . . . . .	1.000
2nd. . . . .	3.767	6th . . . . .	0.782
3rd . . . . .	1.966	Rev . . . . .	6.369
4th . . . . .	1.355		

## AXLE LOAD & TYRE LOAD LIMITS

Front Axle . . . . . 3100kg  
 Tyres. . . . . 2570kg  
 Rear axle . . . . . 5100kg  
 Tyres. . . . . 4860kg  
 Front axle type . . . . . I Beam  
 Rear axle type . . . . . SH12 full-floating, single reduction, single speed by Hypoid gears

## SUSPENSION

### Front Suspension

Leaf . . . . . Semi-elliptic taper leaf springs with shock absorbers & stabiliser  
 Spring dimensions, span & width . . . . . 1250mm x 70mm

### Rear Suspension

Leaf . . . . . Semi-elliptic main and auxiliary tapered Leaf springs with silencers and shock absorbers  
 Spring dimensions, span & width . . . . . 1310mm x 70mm  
 Auxiliary springs. . . . . 900mm x 70mm

## WHEEL & TYRES

Wheel type . . . . . 6-stud disc wheel  
 Wheel & rim size . . . . . 205/85R16 117/115 & 16x5.5K  
 Number of tyres. . . . . Seven including spare  
 Spare tyre carrier . . . . . Equipped

## ELECTRICAL

Type . . . . . 24 volt, negative earth  
 Batteries . . . . . 12V x 2, series connected  
 Alternator type . . . . . Built-in rectifier and voltage regulator  
 Capacity . . . . . 24V – 80 Amp  
 Starter Capacity. . . . . 24V, 4.5kW

## ENGINE

Engine . . . . . Hino N04C UT  
 Max output (ISO Net) . . . . . 121kW (165Hp) at 2500 RPM  
 Max torque (ISO Net) . . . . . 464Nm at 1400 RPM  
 Maximum engine speed. . . . . 3100 RPM  
 Type . . . . . Diesel, four cycle, four-cylinder in line, overhead valve, water cooled  
 Combustion system . . . . . Direct injection type  
 Bore & stroke . . . . . 104 x 118mm  
 Piston displacement . . . . . 4.009 litres  
 Fuel injection system . . . . . Electronic control, common rail type  
 Air intake system . . . . . Turbo inter-cooled, stack-type air intake  
 Air cleaner. . . . . Paper element  
 Fan clutch . . . . . Equipped  
 Exhaust system . . . . . Catalytic Converter with Diesel Particulate Active Reduction System (DPR)  
 Exhaust outlet . . . . . Horizontal  
 Emission control system. . . . . EGR & DPR meeting Euro 5 emission levels

## TRANSMISSION

Model . . . . . MZZ6F  
 Type . . . . . Six-speed overdrive manual  
 Clutch type . . . . . Dry single plate, diaphragm type with damper springs  
 Facing outside diameter. . . . . 325mm  
 Facing lining area . . . . . 483 x 2cm<sup>2</sup>  
 Control . . . . . Hydraulic with vacuum booster

## BRAKES

Service brakes . . . . . Hydraulic system with ventilated disc brakes front and rear  
 Control . . . . . Vacuum servo with hydraulic assist & dual circuits  
 Front disc diameter . . . . . 287mm  
 Rear disc diameter. . . . . 287mm  
 Anti-lock system (ABS) . . . . . Equipped  
 Vehicle Stability Control . . . . . Equipped  
 Traction Control . . . . . Equipped  
 Easy Start System . . . . . Equipped  
 Exhaust brake . . . . . Electric-vacuum actuator with valve in exhaust pipe  
 Park brake. . . . . Rear of transmission



717

XZU710R-HKFQTQ3

717 Medium

# Cab Equipment & Instrumentation

## CHASSIS FRAME

Type . . . . .	Ladder-shaped channel section side rails
Chassis width at rear . . . . .	750mm
Max section (depth x flange x thickness) . . . . .	192.8 x 65 x 5.9mm
Tensile strength . . . . .	540N/mm <sup>2</sup>
Towing hooks . . . . .	Equipped at front and rear
Front bumper . . . . .	Painted to cabin colour

## CAB EXTERIOR

Type . . . . .	Forward control, all steel welded construction, torsion-bar tilt mechanism, fully trimmed
Windscreen wipers . . . . .	Electric, dual wipers, intermittent and 2-speed
Outside rear mirrors . . . . .	Two, pillar mounted, curved
Radiator grille . . . . .	Painted same colour as cabin
Lamps . . . . .	Halogen headlamps, fog lamps

## CAB INTERIOR

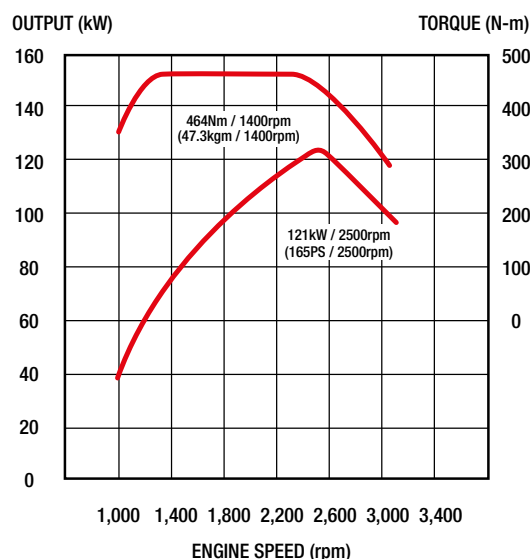
Steering . . . . .	Telescopic tilt column with integral power steering
Windscreen glass . . . . .	Laminated glass
Seating capacity . . . . .	Three
Driver's seat . . . . .	4-way adjustable, urethane foam pads, high-back, lumbar support & suspension base
Assistant's seat . . . . .	Fixed bench, urethane foam pads, high-back seat
Seat cover . . . . .	Fabric cover

### Seat Belts

Driver's seat . . . . .	3-point type with ELR and pre-tensioner
Assistant's seat . . . . .	3-point type with ELR and pre-tensioner
Centre passenger's seat . . . . .	2-point type
Front Sun visors . . . . .	For driver and passenger
Ventilator . . . . .	Forced type by electric blower
Inside rear mirror . . . . .	One, flat type

Cigarette lighter (24 volt) . . . . .	Equipped
Audio . . . . .	AM/FM radio with CD player
Heater and defroster . . . . .	Equipped
Air conditioner . . . . .	Equipped
Remote door locking . . . . .	Equipped
Immobiliser . . . . .	Equipped
Power Windows . . . . .	Equipped
SRS airbag . . . . .	Equipped for driver and left side passenger
Seat back console . . . . .	Equipped (centre)
Overhead consoles . . . . .	For driver and passenger
Cup holder . . . . .	Equipped

## POWER & TORQUE CHART (ISO NET) N04C UT



## INSTRUMENTS

### 1. Meters and gauges

km-kg system  
Engine tachometer

### 2. Warning, pilot lamps and buzzers

Turning signal & hazard indicator lamp  
Exhaust brake indicator lamp  
Engine oil pressure warning lamp  
Battery charge warning lamp  
High beam indicator lamp  
Parking brake indicator lamp  
Engine malfunction indicator lamp  
Fuel level warning lamp  
Fuel filter water accumulating  
Level warning lamp  
Brake fluid level warning lamp  
Back-up warning buzzer  
Cab-tilt warning lamp  
ABS system failure warning lamp  
SRS airbag system failure warning lamp  
Easy Start indicator lamp

### 3. Switches

Lighting switch  
Wiper and washer switch  
Exhaust brake switch  
Easy Start switch  
Easy Start release timing adjuster switch  
Traction Control OFF

### 4. Multi Information Display

Fuel gauge  
Coolant temperature gauge  
DPR accumulation gauge  
Odometer  
2 trip meters  
Fuel consumption  
- Current  
- Average

### 5. Others

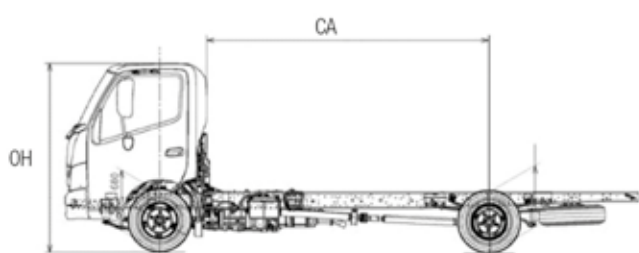
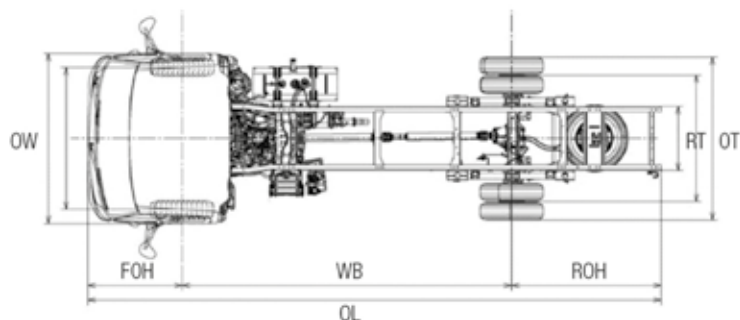
One-key starting-stopping  
Horn button  
Remote door locking

## STEERING

Type . . . . .	Telescopic and tilt steering column with locking device. Rack & pinion with integral power steering
Steering angle . . . . .	Inside: 50°      Outside: 36°



# 717 Dimensions



## DIMENSIONS - mm / Capacities

Model	Medium
Product Code	XZU710R-HKFQTQ3
Wheelbase (WB)	3430
Overall tyre width (OT)	1965
Overall length (OL)	6185
Overall width (OW)	1995
Overall height (OH)	2205
Front track	1665
Rear track	1520
Cab to axle centre (CA)	2870
Front overhang (FOH)	1110
Rear overhang (ROH)	1645
Cab to end of frame	4515
Front chassis height	695
Rear chassis height	760
Road clearance	180
Turning circle – m (kerb-to-kerb)	11.6
Turning circle – m (wall-to-wall)	13.0
Fuel tank – lt	100
Indicative chassis mass – kg (standard tools, 10 litres of fuel, without spare tyre)	
Total	2365
Front	1635
Rear	730
GVM Rating*	6500
GCM Rating	10,000

\*Std GVM = 6500 OPT 5995

## WARRANTIES

New vehicle warranty period

Light Duty Model	Axle Configuration	Standard Warranty <small>(whichever comes first)</small>	Engine & Powerlines <small>(whichever comes first)</small>
<b>717 Medium</b>	<b>4 x 2</b>	<b>36 months or 100,000kms</b>	<b>36 months or 100,000kms</b>

For detailed warranty conditions, please refer to Hino Truck Warranty brochure.

## DISCLAIMER

Important notice. Hino Trucks are distributed in New Zealand by Hino Distributors (NZ) Ltd.

All effort has been made to ensure the information contained in this brochure was correct at time of printing. Hino Distributors (NZ) Ltd reserves the right to alter any details of the specifications & equipment without notice. Hino in so far as it is permitted by law to do so, shall not be liable in any way as a result of any reliance placed by any person on anything contained in this brochure. You should therefore check with your authorised Hino dealer at the time of ordering your motor vehicle to ensure that colour, specifications, equipment, design features & options are available for the vehicle you are ordering. Please note that some options may only be available in combination with others. Authorised Hino dealers will on request provide up to date information on all accessories, design features, prices & availability.