



\* Illustration may contain item not standard to the model

**4 x 2 Cab Chassis**

## KEY FEATURES

- Cruise Control
- ABS Brakes with ASR
- Easy Start – Take-off Assist
- Air Suspension on rear axle
- Drivers SRS Airbag
- Heated & Electrically Operated External Mirrors
- FUP (ADR 84/00 Complied)
- ISRI 6800 Driver seat with integrated Safety Belt

## KEY SPECIFICATIONS

- GVM.** . . . . . 11,000kg  
Optional derate to 8,000kg
- GCM.** . . . . . 20,000kg
- Power** . . . . . 176kW @ 2400 RPM
- Torque.** . . . . . 716Nm @ 1500 RPM
- Transmission** . . . . . Six-speed OD synchromesh
- Wheelbase** . . . . . 4850mm





# FD 1124 Air

FD7JLMG-HAU11 1124 Long Air

## Engine & Driveline specifications

### ENGINE

Model	Hino J07E-TP
Max. output (ISO NET)	176kW (240 PS) at 2400 RPM
Max output (JIS GROSS)	180kW (245 PS) at 2400 RPM
Max. torque (ISO NET)	716Nm (73kgf/m) at 1500 RPM
Max torque (JIS GROSS)	725Nm (74kgf/m) at 1500 RPM
Max. engine speed	2400 RPM
Engine compliance	ADR 80/03
Type	Diesel, turbocharged & intercooled, five-cylinder in-line, overhead camshaft & water-cooled
Combustion system	Direct injection with EGR
Bore & stroke	112 x 130mm
Piston displacement	6.403L
Compression ratio	17:1
Engine oil capacity	11.7L
Coolant capacity	23.5L
Fuel injection pump	Electronic control common-rail type
Intake system	Stack-type air intake
Air cleaner	Dual paper elements
Air compressor	Single cylinder, water-cooled
Bore & stroke	70 x 40mm
Fan clutch	Equipped
Exhaust	Horizontal outlet with DPR
Emission Control System	EGR & DPR meeting ADR 80/03 using EURO V Std

### CLUTCH

Model	CS-350 series
Type	Dry single plate with damper springs
Facing material	Moulded (non-asbestos)
Facing outside diameter	350mm
Control	Hydraulic with air booster

### TRANSMISSION & GEAR RATIOS

Model	LX06S Overdrive
Type	Six-forward & one reverse speeds, overdrive, synchromesh on 2nd to 6th
Control	Cable with power shift
Rear axle gear ratio	4.333:1

1st	.6.098	5th	.1.000
2nd	.3.858	6th	.0.761
3rd	.2.340	Rev.	.5.672
4th	.1.422		

### PERFORMANCE

Calculations based on 10.4 ton GVM, 235/75R 17.5 tyre	
Engine RPM @ 100km/h	2270
Max. speed (km/h)	106
Gradeability tan $\theta$ (%) @ GVM	45.1

### BRAKES

Type	Hydraulic system with two leading shoes for front and rear acting on all wheels
Control	Air over hydraulic, dual circuits
Drum diameter x lining	
Width	Front: 320 x 110mm Rear: 320 x 145mm
Air dryer	Equipped
ABS	Equipped
ASR (Anti Slip Regulator)	Equipped
Brake auto-shoe adjuster	Equipped
Parking brake	Spring brake, acting on rear wheels
Exhaust brake	Electric-pneumatic with valve in exhaust pipe
Easy Start	Equipped

### AXLE LOAD & TYPE

Front axle	4000kg
Rear axle	7000kg
Front axle type	LF466 series Reversed Elliot, I-Beam
Rear axle type	SH13 full-floating, single reduction, single-speed hypoid

### SUSPENSION

Front suspension Type	Semi-elliptic tapered leaf springs with shock absorbers with stabiliser
Size	1300 span x 70mm width
Rear suspension Type	Hendrickson HAS air bag suspension with shock absorbers

### WHEELS & TYRES

Wheel type	Six-stud disc wheel (JIS type) PCD 222.25
Rim size	6.75 x 17.5 – offset 135mm
Tyre size	235/75R 17.5 132/130
Number of tyres	Seven (including one spare)
Spare tyre carrier	Equipped

### FUEL TANK

Capacity	200L
Fuel pre-filter & sedimentor	Equipped
Fuel tank cap key	Equipped



# FD 1124 Air

FD7JLMG-HAU11 1124 Long Air

## Cab, Instrumentation & Chassis

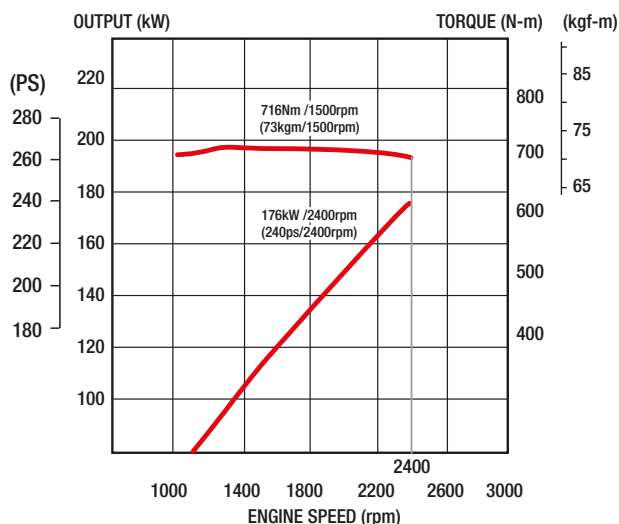
### CAB DETAILS

Type . . . . .	Forward control, all steel construction with torsion bar tilt mechanism
Drivers SRS Airbag . . . . .	Equipped with pretensioner seatbelt
Seating capacity . . . . .	Three
Driver's seat . . . . .	ISRI 6800 with urethane foam pads, high-back, lumbar support, multi adjustable, air suspended, with integrated safety belt
Side passenger's seat . . . . .	Urethane foam pads, high-back and reclining seat with fabric cover and under-tray
Centre passenger's seat . . . . .	Urethane foam pads & foldaway type with seat back tray, fabric cover
Seat belt . . . . .	3-point type on driver's and side passenger's seat, 2-point type on centre passenger's seat
Sun visor and overhead console . . . . .	For driver & passenger sides
Windshield wipers . . . . .	Electric, dual, intermittent and 2-speed
Ventilator . . . . .	Forced type by electric blower
Rear view mirrors . . . . .	External: Heated & electric, two flat type, two convex spotters
Cigarette lighter (24V) . . . . .	Equipped
Floor mat . . . . .	Vinyl type
Front air spoiler . . . . .	Equipped
Central locking & keyless entry . . . . .	Equipped with immobiliser
Heater and defroster . . . . .	Standard
Air conditioner . . . . .	Standard
Trim . . . . .	Full trim type (side, roof and back)
Cab pockets . . . . .	Equipped on both door sides
Power windows . . . . .	Equipped
Rest area . . . . .	Equipped
Car audio . . . . .	DAB AM/FM radio with CD & DVD player and Bluetooth
Speakers . . . . .	Driver and passenger sides
Foot rest . . . . .	Equipped
Easy Start . . . . .	Equipped
Engine control link . . . . .	Equipped
Cup holder . . . . .	Equipped
Cruise Control . . . . .	Equipped

### ELECTRICAL

Type . . . . .	24V, negative earth
Batteries . . . . .	2 x 12V, series connection. Capacity 65Ah at 20-hour rate
Alternator type . . . . .	Brushless with built-in rectifier and voltage regulator. Capacity 24V, 60A
Starter type . . . . .	24V, 4.5kW
Headlamps . . . . .	Halogen type including fog lamps
High/low beam . . . . .	Equipped
Fluorescent reading lamp . . . . .	Equipped
Electric horn . . . . .	Equipped

### POWER & TORQUE CHART (ISO Net) J07E-TP



### INSTRUMENTS

- Meters & gauges**
  - Speedometer with trip meter
  - Odometer
  - Tachometer
  - Fuel gauge
  - Coolant temperature gauge
  - Air pressure gauge
- Switches**
  - One-key starting-stopping
  - Lighting
  - Directional indicator, dimmer and passing
  - Wiper and washer
  - Hazard lamp
  - Exhaust brake
  - Map lamp
  - Fog lamp
  - Easy Start
  - Cruise Control
  - DPR regeneration
  - ASR off
  - Mirror controls
- Warning, pilot lamps & buzzers**
  - Oil pressure warning lamp & buzzer
  - Air pressure warning lamp & buzzer
  - Engine over-run warning buzzer
  - Coolant level warning lamp & buzzer
  - Brake fluid level warning lamp & buzzer
  - Brake adjustment warning lamp & buzzer
  - High beam indicator lamp
  - Turn signal indicator lamp
  - Parking brake indicator lamp
  - Seat belt warning lamp & buzzer
  - Exhaust brake indicator lamp
  - Engine control system warning lamp
  - Hazard indicator lamp
  - Back-up warning buzzer
- Others**
  - Idle up control knob
  - Horn button
  - 12V electric source

### STEERING

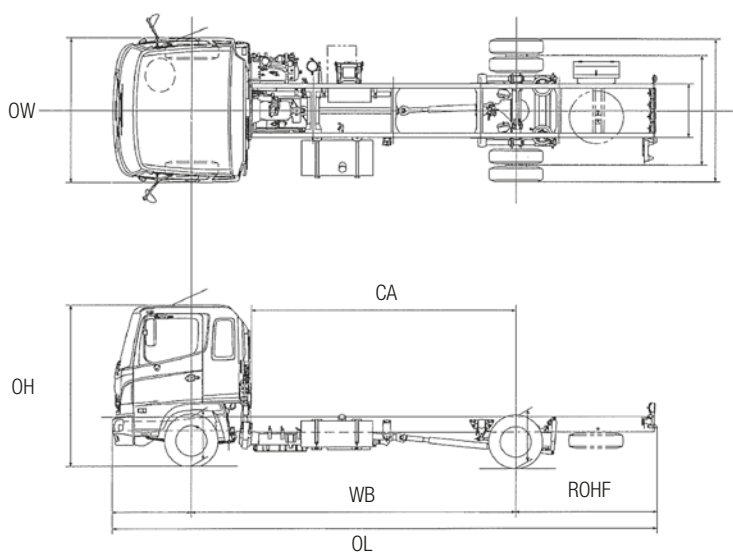
Type . . . . .	Telescopic and tilt steering column with locking device. Recirculating ball with Integral Power Steering
Gear ratio . . . . .	18.6:1
Steering angle . . . . .	Inside: 50-53°      Outside: 39°

### CHASSIS FRAME

Type . . . . .	Ladder-shaped channel section side rails
Rear chassis width . . . . .	820mm
Main section (depth x flange x thickness) . . . . .	231 x 73 x 6.5mm
Inner section (depth x flange x thickness) . . . . .	218 x 60 x 3.2mm
Tensile strength . . . . .	Main: 540N/mm <sup>2</sup> (55kgf/mm <sup>2</sup> ) Inner: 440N/mm <sup>2</sup> (45kgf/mm <sup>2</sup> )
Hooks . . . . .	Equipped for front and rear
Factory FUP . . . . .	Equipped



# FD 1124 Air Dimensions



## DIMENSIONS - mm / Capacities

Model	Hino FD 1124	Long
Production code		.FD7JLMG-HAU11
Wheelbase (WB)		4850
Overall length (OL)		8135
Overall width (OW)		2175
Overall height (OH)		2440
Cab to rear axle centre (CA)		3950
Rear overhang (at frame end) (ROHF)		2060
Front chassis height (HF)		.760
Rear chassis height (HR)		.780
Road clearance (at diff. case) (RC)		.195
Front track (FT)		1780
Rear track (RT)		1660
Turning circle kerb to kerb		15,200
Turning circle wall to wall		16,600
<b>Chassis mass - kg (standard tools, 10 litres of fuel, without spare tyre)</b>		
Total		3370
Front		2270
Rear		1100
GVM		11,000
GCM		20,000

\*GVM can be derated to 8,000

## WARRANTY

New vehicle warranty period

Medium Duty Model	Axle configuration	Standard warranty <small>(whichever comes first)</small>	Engine & Powerlines
<b>500 FD 1124 Air</b>	4 x 2	<b>24 months or 100,000 km</b>	<b>36 months or 150,000 km</b>

## DISCLAIMER

Important notice. Hino Trucks are distributed in New Zealand by Hino Distributors (NZ) Ltd.

All efforts have been made to ensure the information contained in this brochure was correct at time of printing or uploading. Hino Distributors (NZ) Ltd reserves the right to alter any details of the specifications and equipment without notice. Hino in so far as it is permitted by law to do so, shall not be liable in any way as a result of any reliance placed by any person on anything contained in this brochure. You should therefore check with your authorised Hino dealer at the time of ordering your motor vehicle to ensure that colour, specifications, equipment, design features and options are available for the vehicle you are ordering. Please note that some options may only be available in combination with others. Authorised Hino dealers will on request provide up to date information on all accessories, design features, prices and availability.

Date of issue - 01/04/12 FD 1124 Air V3.3