



KEY FEATURES

- Wide Cabin
- Dual SRS Airbags
- Easy Start – Take Off Assist
- Disc Brakes
 - Front & Rear
 - ABS, VSC & TRC – all STD
- Energy Absorbing Steering Wheel
- Driver's suspension seat
- Emission Standard Euro 5

KEY SPECIFICATIONS

- GVM**5500kg
- GCM**9000kg
- Engine** . . . 4.0-litre, Common Rail, Direct Injection
Turbocharged and Intercooled
- Power**121kW (165Hp) @ 2500 RPM (ISO)
- Torque** 464Nm @ 1400 RPM (ISO)
- Wheelbases** Short 2810mm





617

XZU700R-HKFMTQ3

617 Short

Engine, Driveline & Chassis specifications

ENGINE

Engine Hino N04C UT
 Max output (ISO Net) 121kW (165Hp) at 2500 RPM
 Max torque (ISO Net) 464Nm at 1400 RPM
 Maximum engine speed 3100 RPM
 Type Diesel, four cycle, four-cylinder in line, overhead valve, water cooled
 Combustion system Direct injection type
 Bore & stroke 104 x 118mm
 Piston displacement 4.009 litres
 Fuel injection system Electronic control, common rail type
 Air intake system Turbo inter-cooled, stack-type air intake
 Air cleaner Paper element
 Fan clutch Equipped
 Exhaust system Catalytic Converter with Diesel Particulate Active Reduction System (DPR)
 Exhaust outlet Horizontal
 Emission control system EGR & DPR meeting Euro 5 emission levels

TRANSMISSION

Model MZZ6F
 Type Six-speed overdrive manual
 Clutch type Dry single plate, diaphragm type with damper springs
 Facing outside diameter 325mm
 Facing lining area 483 x 2cm²
 Control Hydraulic with vacuum booster

BRAKES

Service brakes Hydraulic system with ventilated disc brakes front and rear
 Control Vacuum servo with hydraulic assist & dual circuits
 Front disc diameter 296mm
 Rear disc diameter 281mm
 Anti-lock system (ABS) Equipped
 Vehicle Stability Control Equipped
 Traction Control Equipped
 Easy Start System Equipped
 Exhaust brake Electric-vacuum actuator with valve in exhaust pipe
 Park brake Rear of transmission

PERFORMANCE & GEAR RATIOS

Engine RPM @ 100km/h 2380
 Maximum speed (km/h) 130
 Gradeability tan θ % @ GVM 60.0
 Final drive ratio 4.1:1

MZZ6F

1st 6.339	5th 1.000
2nd 3.767	6th 0.782
3rd 1.966	Rev 6.369
4th 1.355	

AXLE LOAD & TYRE LOAD LIMITS

Front Axle 2600kg
 Tyres 2360kg
 Rear axle 4400kg
 Tyres 4400kg
 Front axle type I Beam
 Rear axle type SH12 full-floating, single reduction, single speed by Hypoid gears

SUSPENSION

Front Suspension

Leaf Semi-elliptic taper leaf springs with shock absorbers & stabiliser
 Spring dimensions, span & width 1250mm x 70mm

Rear Suspension

Leaf Semi-elliptic main and auxiliary tapered Leaf springs with silencers and shock absorbers
 Spring dimensions, span & width 1300mm x 70mm
 Auxiliary springs 900mm x 70mm

WHEEL & TYRES

Wheel type 5-stud disc wheel
 Wheel & rim size 195/85R16 114/112 & 16x5.5K
 Number of tyres Seven including spare
 Spare tyre carrier Equipped

ELECTRICAL

Type 24 volt, negative earth
 Batteries 12V x 2, series connected
 Alternator type Built-in rectifier and voltage regulator
 Capacity 24V – 80 Amp
 Starter Capacity 24V, 4.5kW



617

XZU700R-HKFMQT3

617 Short

Cab Equipment & Instrumentation

CHASSIS FRAME

Type	Ladder-shaped channel section side rails
Chassis width at rear	750mm
Max section (depth x flange x thickness)	190.8 x 65 x 6.0mm
Tensile strength	540N/mm ²
Towing hooks	Equipped at front and rear
Front bumper	Painted to cabin colour

CAB EXTERIOR

Type	Forward control, all steel welded construction, torsion-bar tilt mechanism, fully trimmed
Windscreen wipers	Electric, dual wipers, intermittent and 2-speed
Outside rear mirrors	Two, pillar mounted curved
Radiator grille	Painted same colour as cabin
Lamps	Halogen headlamps, fog lamps

CAB INTERIOR

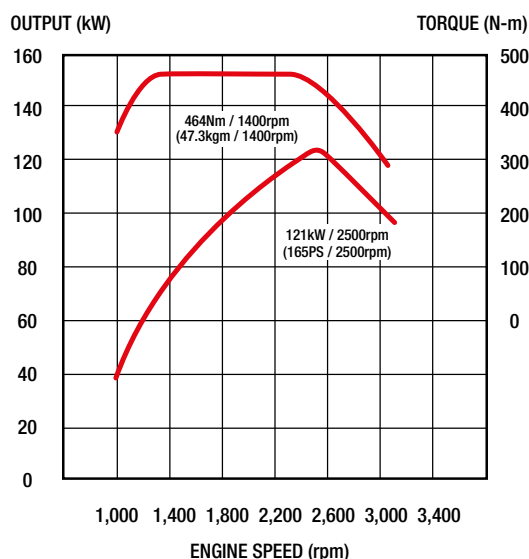
Steering	Telescopic tilt column with integral power steering
Windscreen glass	Laminated glass
Seating capacity	Three
Driver's seat	4-way adjustable, urethane foam pads, high-back, lumbar support & suspension base
Assistant's seat	Fixed bench, urethane foam pads, high-back seat
Seat cover	Fabric cover

Seat Belts

Driver's seat	3-point type with ELR and pre-tensioner
Assistant's seat	3-point type with ELR and pre-tensioner
Centre passenger's seat	2-point type

Front Sun visors	For driver and passenger
Ventilator	Forced type by electric blower
Inside rear mirror	One, flat type
Cigarette lighter (24 volt)	Equipped
Audio	AM/FM radio with CD player
Heater and defroster	Equipped
Air conditioner	Equipped
Remote door locking	Equipped
Immobiliser	Equipped
Power Windows	Equipped
SRS airbag	Equipped for driver and left side passenger
Seat back console	Equipped (centre)
Overhead consoles	For driver and passenger
Cup holder	Equipped

POWER & TORQUE CHART (ISO NET) N04C US



INSTRUMENTS

1. Meters and gauges

- km-kg system
- Engine tachometer

2. Warning, pilot lamps and buzzers

- Turning signal & hazard indicator lamp
- Exhaust brake indicator lamp
- Engine oil pressure warning lamp
- Battery charge warning lamp
- High beam indicator lamp
- Parking brake indicator lamp
- Engine malfunction indicator lamp
- Fuel level warning lamp
- Fuel filter water accumulating
- Level warning lamp
- Brake fluid level warning lamp
- Back-up warning buzzer
- Cab-tilt warning lamp
- ABS system failure warning lamp
- SRS airbag system failure warning lamp
- Easy Start indicator lamp

3. Switches

- Lighting switch
- Wiper and washer switch
- Exhaust brake switch
- Easy Start switch
- Easy Start release timing adjuster switch
- Traction Control OFF

4. Multi Information Display

- Fuel gauge
- Coolant temperature gauge
- DPR accumulation gauge
- Odometer
- 2 trip meters
- Fuel consumption
 - Current
 - Average

5. Others

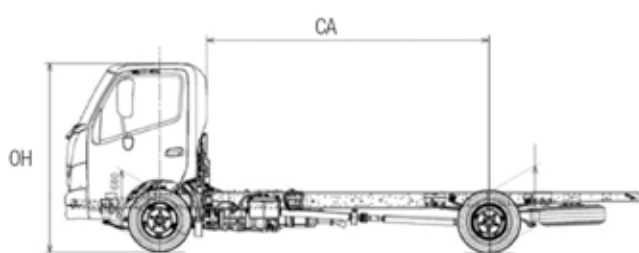
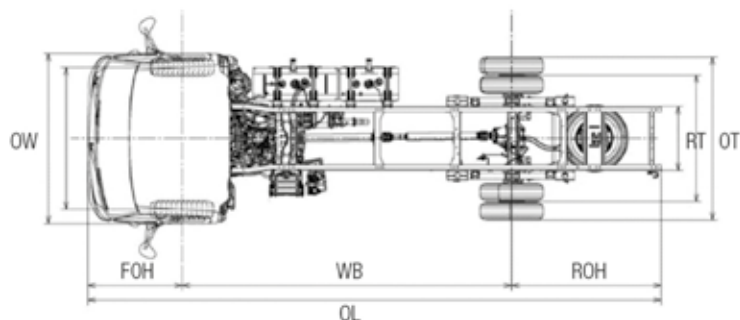
- One-key starting-stopping
- Horn button
- Remote door locking

STEERING

Type	Telescopic and tilt steering column with locking device. Rack & pinion with integral power steering
Steering angle	Inside: 51° Outside: 36°



617 Dimensions



DIMENSIONS - mm / Capacities

Model	Short
Product Code	XZU700R-HKFMQ3
Wheelbase (WB)	2810
Overall tyre width (OT)	1900
Overall length (OL)	5195
Overall width (OW)	1995
Overall height (OH)	2195
Front track	1665
Rear track	1480
Cab to axle centre (CA)	2250
Front overhang (FOH)	1110
Rear overhang (ROH)	1280
Cab to end of frame	3530
Front chassis height	680
Rear chassis height	755
Road clearance	170
Turning circle – m (kerb-to-kerb)	9.8
Turning circle – m (wall-to-wall)	11.2
Fuel tank – lt	100
Indicative chassis mass – kg (standard tools, 10 litres of fuel, without spare tyre)	
Total	2215
Front	1580
Rear	635
GVM Rating	5500
GCM Rating	9000

WARRANTIES

New vehicle warranty period

Light Duty Model	Axle Configuration	Standard Warranty <small>(whichever comes first)</small>	
617 Short	4 x 2	36 months or 100,000kms	36 months or 100,000kms

For detailed warranty conditions, please refer to Hino Truck Warranty brochure.

DISCLAIMER

Important notice. Hino Trucks are distributed in New Zealand by Hino Distributors (NZ) Ltd.

All effort has been made to ensure the information contained in this brochure was correct at time of printing. Hino Distributors (NZ) Ltd reserves the right to alter any details of the specifications & equipment without notice. Hino in so far as it is permitted by law to do so, shall not be liable in any way as a result of any reliance placed by any person on anything contained in this brochure. You should therefore check with your authorised Hino dealer at the time of ordering your motor vehicle to ensure that colour, specifications, equipment, design features & options are available for the vehicle you are ordering. Please note that some options may only be available in combination with others. Authorised Hino dealers will on request provide up to date information on all accessories, design features, prices & availability.