



500
S E R I E S

FD 1126 Air



* Illustration may contain item not standard to the model

4 x 2 Cab Chassis

KEY FEATURES

- Cruise Control
- ABS Brakes with ASR
- Easy Start – Take-off Assist
- Air Suspension on rear axle
- Drivers SRS Airbag
- Heated & Electrically Operated External Mirrors
- FUP (ADR 84/00 Complied)
- ISRI 6800 Driver seat with integrated Safety Belt

KEY SPECIFICATIONS

- GVM.** 11,000kg
- GCM.** 20,000kg
- Power** 191kW @ 2400 RPM
- Torque.** 794Nm @ 1500 RPM
- Transmission** Six-speed OD synchromesh
- Wheelbase** 4850mm





FD 1126 Air

FD7JLMG-QAU

1126 Air Long

Engine & Driveline specifications

ENGINE

Model	Hino J07E-TN
Max. output (ISO Net)	191kW (260 PS) at 2400 RPM
Max. output (JIS GROSS)	195kW (265 PS) at 2400 RPM
Max. torque (ISO Net)	794Nm (81 kgf/m) at 1500 RPM
Max. torque (JIS GROSS)	804Nm (82 kgf/m) at 1500 RPM
Max. engine speed	2400 RPM
Engine compliance	ADR 80/03
Type	Diesel, turbocharged & intercooled, five-cylinder in-line, overhead camshaft & water-cooled
Combustion system	Direct injection with EGR
Bore & stroke	112 x 130mm
Piston displacement	6.403L
Compression ratio	17:1
Engine oil capacity	11.7L
Coolant capacity	23.5L
Fuel injection pump	Electronic control common-rail type
Intake system	Stack-type air intake
Air cleaner	Dual paper elements
Air compressor type	Single cylinder, water-cooled
Bore & stroke	70 x 40mm
Fan clutch	Equipped
Exhaust	Horizontal outlet with DPR
Emission Control System	EGR & DPR meeting ADR 80/03 using EURO V Std

CLUTCH

Model	CSP 350
Type	Dry single plate with damper springs
Facing material	Moulded (non Asbestos)
Facing outside diameter	350mm
Control	Hydraulic with air booster

TRANSMISSION & GEAR RATIOS

Model	LJ06S
Type	Six forward & one reverse speeds, overdrive, synchromesh on 2nd to 6th
Control	Cable with power shift
Rear axle gear ratio	4.333:1

1st	.6.477	5th	.1.000
2nd	.4.382	6th	.0.723
3rd	.2.450	Rev.	.6.064
4th	.1.470		

PERFORMANCE

Calculations based on 11 ton GVM, 235/75R 17.5 tyre	
Engine RPM @ 100km/h	2150
Max theoretical speed (km/h)	112
Gradeability tan θ (%) @ GVM	55.7

BRAKES

Type	Hydraulic system with two leading shoes for front & rear acting on all wheels
Control	Air over hydraulic, dual circuits
Drum diameter x lining	
Width	Front 320 x 110mm
	Rear 320 x 145mm
Air dryer	Equipped
ABS	Equipped
ASR (Anti Slip Regulator)	Equipped
Brake auto-shoe adjuster	Equipped
Parking brake	Spring brake, acting on rear wheels
Exhaust brake	Electric-pneumatic with valve in exhaust pipe
Easy Start	Equipped

AXLE LOAD & TYPE

Axle load limit	Front axle	4000kg
	Rear axle	7000kg
Front axle type	LF466 series I-Beam, Reversed Elliot	
Rear axle type	SH13 full-floating, single reduction, single-speed hypoid	

SUSPENSION

Front suspension Type	Semi-elliptic tapered leaf springs with shock absorbers & stabiliser
Size	1300 span x 70mm width
Rear suspension Type	Hendrickson HAS Air bag with shock absorbers

WHEELS & TYRES

Wheel type	Six-stud disc wheel (JIS type) PCD 222.25
Rim size	6.75 x 17.5 – offset 135mm
Tyre size	235/75R 17.5 132/130
Number of tyres	Seven (Including one spare)
Spare tyre carrier	Equipped

FUEL TANK

Capacity	200L
Fuel pre-filter & sedimentor	Equipped
Fuel tank cap key	Equipped



FD 1126 Air

FD7JLMG-QAU 1126 Air Long

Cab, Instrumentation & Chassis

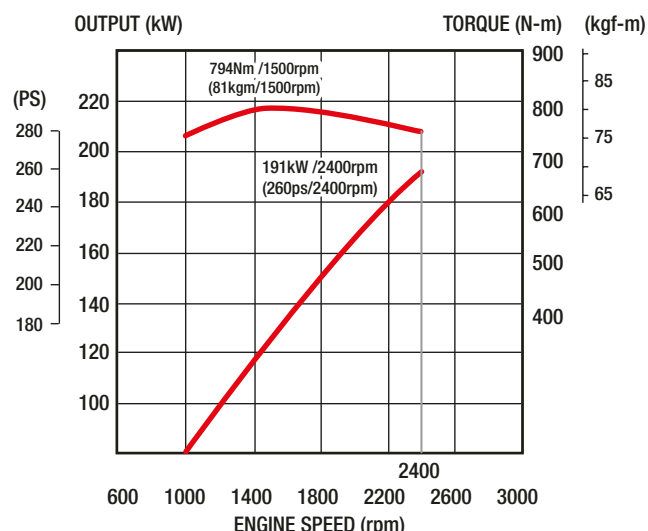
CAB DETAILS

Type	Forward control, all steel construction with torsion bar tilt mechanism
Drivers SRS Airbag	Equipped with pretensioner seatbelt
Seating capacity	Three
Driver's seat	ISRI 6800 with urethane foam pads, high-back, lumbar support, multi adjustable, air suspended, with integrated safety belt
Side passenger's seat	Urethane foam pads, high-back & reclining seat with fabric cover & under-tray
Centre passenger's seat	Urethane foam pads & foldaway type with seat back tray, fabric cover
Seat belt	3-point type on driver's & side passenger's seat, 2-point type on centre passenger's seat
Sun visor & overhead console	For driver & passenger sides
Windshield wipers	Electric, dual, intermittent & 2-speed
Ventilator	Forced type by electric blower
Rear view mirrors	External: Electric & heated, two flat, two convex spotters
Cigarette lighter (24V)	Equipped
Power windows	Equipped
Floor mat	Vinyl type
Front air spoiler	Equipped
Central locking & keyless entry	Equipped with immobiliser
Heater & defroster	Standard
Air conditioner	Standard
Trim	Full trim type (side, roof & back)
Cab pockets	Equipped on both door sides
Rest area	Equipped
Car audio	DAB AM/FM radio with CD & DVD player and Bluetooth
Speakers	Driver & passenger sides
Easy Start	Equipped
Foot rest	Equipped
Engine control link	Equipped
Cruise Control	Equipped
Cup holder	Equipped

ELECTRICAL

Type	24V, negative earth
Batteries	2 x 12V in series connection. Capacity 65Ah at 20-hour rate
Alternator type	Brushless with built-in rectifier & voltage regulator. Capacity 24V, 60A
Starter type	24V, 4.5kW
Headlamps	Halogen type including fog lamps
High/low beam	Equipped
Fluorescent reading lamp	Equipped
Electric horn	Equipped

POWER & TORQUE CHART (ISO Net) J07E-TN



INSTRUMENTS

- Meters & gauges**
 - Speedometer with trip meter
 - Odometer
 - Fuel gauge
 - Tachometer
 - Coolant temperature gauge
 - Air pressure gauge
- Switches**
 - One-key starting-stopping
 - Lighting
 - Directional indicator, dimmer & passing
 - Wiper & washer
 - Hazard lamp
 - Exhaust brake
 - Map lamp
 - Fog lamp
 - Easy Start
 - Cruise Control
 - DPR regeneration
 - ASR off
- Warning, pilot lamps & buzzers**
 - Mirror controls
 - Oil pressure lamp & buzzer
 - Air pressure lamp & buzzer
 - Engine over-run buzzer
 - Coolant level lamp & buzzer
 - Brake fluid lamp & buzzer
 - Brake adjustment lamp & buzzer
 - High beam indicator lamp
 - Turn signal indicator lamp
 - Parking brake indicator lamp
 - Seat belt lamp & buzzer
 - Exhaust brake indicator lamp
 - Engine control system lamp
 - Hazard indicator lamp
 - Back-up buzzer
- Others**
 - Idle up control knob
 - Horn button
 - 12V electric source

STEERING

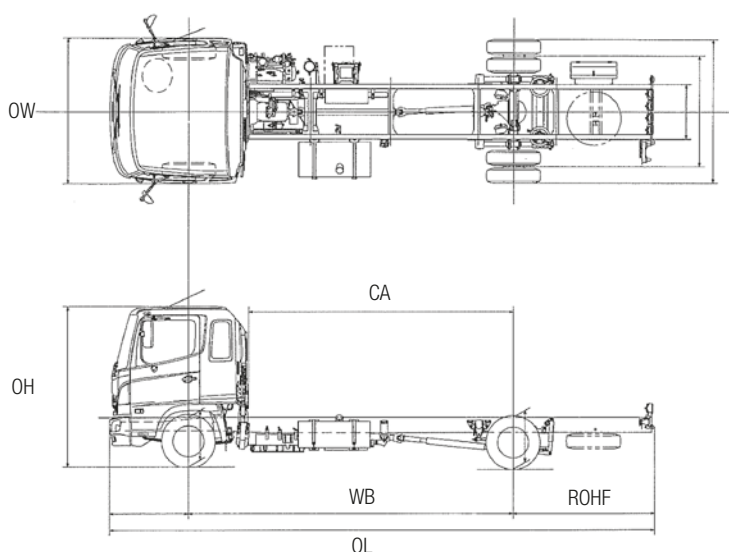
Type	Telescopic & tilt steering column with locking device. Recirculating ball with Integral Power Steering
Gear ratio	18.6:1
Steering angle	Inside:50-53° Outside:39°

CHASSIS FRAME

Type	Ladder-shaped channel section side rails
Rear chassis width	820mm
Main section (depth x flange x thickness)	231.6 x 73 x 6.5mm
Inner section (depth x flange x thickness)	218 x 60 x 3.2mm
Tensile strength	Main: 540N/mm ² {55kgf/mm ² } Inner: 440N/mm ² {45kgf/mm ² }
Hooks	Equipped for front & rear
Factory FUP	Equipped



FD 1126 Air Dimensions



DIMENSIONS - mm / Capacities

Modell/Hino FD 1126 Air Long
Product code FD7JLMG-QAU
Wheelbase (WB) 4850
Overall length (OL) 8135
Overall width (OW) 2175
Overall height (OH) 2450
Cab to axle centre (CA) 3950
Rear overhang - at frame end (ROHF) 2060
Front chassis height (HF) 760
Rear chassis height (HR) 780
Road clearance (at diff. case) (RC) 195
Front track (FT) 1780
Rear track (RT) 1660
Turning circle kerb to kerb 15,200
Turning circle wall to wall 16,600
Chassis mass – kg (standard tools, 10 litres of fuel, without spare tyre)	
Total 3415
Front 2310
Rear 1105
GVM 11,000
GCM 20,000

WARRANTY

New vehicle warranty period

Medium Duty Model	Axle configuration	Standard warranty <small>(whichever comes first)</small>	Engine & Powerlines <small>(whichever comes first)</small>
500 FD 1126 Air	4 x 2	24 months or 100,000 km	36 months or 150,000 km

DISCLAIMER

Important notice. Hino Trucks are distributed in New Zealand by Hino Distributors (NZ) Ltd. All efforts have been made to ensure the information contained in this brochure was correct at time of printing or uploading. Hino Distributors (NZ) Ltd reserves the right to alter any details of the specifications and equipment without notice. Hino in so far as it is permitted by law to do so, shall not be liable in any way as a result of any reliance placed by any person on anything contained in this brochure. You should therefore check with your authorised Hino dealer at the time of ordering your motor vehicle to ensure that colour, specifications, equipment, design features and options are available for the vehicle you are ordering. Please note that some options may only be available in combination with others. Authorised Hino dealers will on request provide up to date information on all accessories, design features, prices and availability.

Date of issue - 01/04/12 FD 1126 Air V3.3