



**500**  
S E R I E S

# FC 1022 ProShift 6



\* Illustration may contain item not standard to the model

**4 x 2 Cab Chassis**

## KEY FEATURES

- ProShift 6 Automated Manual Transmission
- Cruise Control
- ABS Brakes with ASR
- Easy Start – Take-off Assist
- Brake Lock System
- Drivers SRS Airbag
- Heated & Electrically Operated External Mirrors
- FUP (ADR 84/00 Complied)
- ISRI 6800 Driver seat with integrated Safety Belt

## KEY SPECIFICATIONS

GVM. . . . .	10,400kg
GCM. . . . .	16,000kg
Power . . . . .	162kW @ 2400 RPM
Torque. . . . .	.647Nm @ 1500 RPM
Transmission . . . . .	Six-speed OD synchromesh AMT
Wheelbase . . . . .	4350mm (Medium), 4650 (Medium Long)
Nominal Max body length . . . . .	.6250mm (Medium)
. . . . .	.6730 (Medium Long)





# FC 1022 ProShift 6

FC7JJMA-ENU 1022 ProShift 6

## Engine & Driveline specifications

### ENGINE

Model	Hino J07E-TR
Max. output (ISO NET)	162kW (220 PS) at 2400 RPM
Max. output (JIS GROSS)	165kW (225 PS) at 2400 RPM
Max. torque (ISO NET)	647Nm (66kgf/m) at 1500 RPM
Max torque (JIS GROSS)	667Nm (68kgf/m) at 1500 RPM
Max. engine speed.	2700 RPM
Engine compliance.	ADR 80/03
Type	Diesel, turbocharged & intercooled, five-cylinder in-line, overhead camshaft & water-cooled
Combustion system	Direct injection with EGR
Bore & stroke	112 x 130mm
Piston displacement	6.403L
Compression ratio	17.0:1
Engine oil capacity	12.5L
Coolant capacity	25L
Fuel injection pump	Electronic control common-rail type
Intake system	Stack-type air intake
Air cleaner.	Dual paper elements
Air compressor type	Single cylinder, water-cooled
Bore & stroke	70 x 40mm
Fan clutch	Equipped
Exhaust	Horizontal outlet with DPR
Emission Control System	EGR & DPR meeting ADR 80/03 using EURO V Std

### CLUTCH

Model	CS-350 series
Type	Dry single plate with damper springs
Facing material	Moulded (non-asbestos)
Facing outside diameter	350mm
Control	Hydraulic with air booster controlled by transmission

### TRANSMISSION & GEAR RATIOS

ProShift 6	Automated Manual Transmission
Model	LX06S Overdrive
Type	Six forward and one reverse speeds, synchromesh on 2nd to 6th
Control	Electronic
Rear axle gear ratio	4.625:1

1st	.6.098	5th	.1.000
2nd	.3.858	6th	.0.74
3rd	2.340	Rev.	.5.672
4th	.1.422		

### PERFORMANCE

Calculations based on 10.4 ton GVM, 9.5R17.5 tyre

Engine RPM @ 100km/h	2240
Max theoretical speed (km/h)	121
Gradeability tan $\theta$ (%) @ GVM	43.2

### BRAKES

Type	Hydraulic system with two leading shoes for front and rear acting on all wheels
Control	Air over hydraulic, dual circuits
Drum diameter x lining	
Width	Front: 320 x 110mm Rear: 320 x 145mm
Air dryer	Equipped with heater
ABS	Equipped
ASR (Anti Slip Regulator)	Equipped
Brake lock system	Equipped
Parking brake	Mechanical, internal, expanding acting on transmission output shaft
Exhaust brake	Electric-pneumatic with valve in exhaust pipe
Easy Start	Equipped

### AXLE LOAD & TYPE

Axle load limit	Front axle 3600kg Rear axle 7000kg
Front axle type	LF366 series, Reversed Elliot, I-Beam
Rear axle type	SH13 Full-floating, single reduction, single-speed hypoid

### SUSPENSION

Front suspension type	Semi-elliptic tapered leaf springs with shock absorbers & stabiliser
Size	1300 span x 70mm width
Rear suspension type	Semi-elliptic main & auxiliary leaf springs
Main springs	1300 span x 70mm width
Auxiliary springs	900 span x 70mm width

### WHEELS & TYRES

Wheel type	Six-stud disc wheel (JIS type) PCD 222.25
Rim size	6.75 x 17.5 – offset 135mm
Tyre size	9.5R17.5-129/127
Number of tyres	Seven (including one spare tyre)
Spare tyre carrier	Equipped

### FUEL TANK

Capacity	200L
Fuel pre-filter & sedimenter	Equipped
Fuel tank cap key	Equipped



# FC 1022 ProShift 6

FC7JJMA-ENU 1022 ProShift 6

## Cab, Instrumentation & Chassis

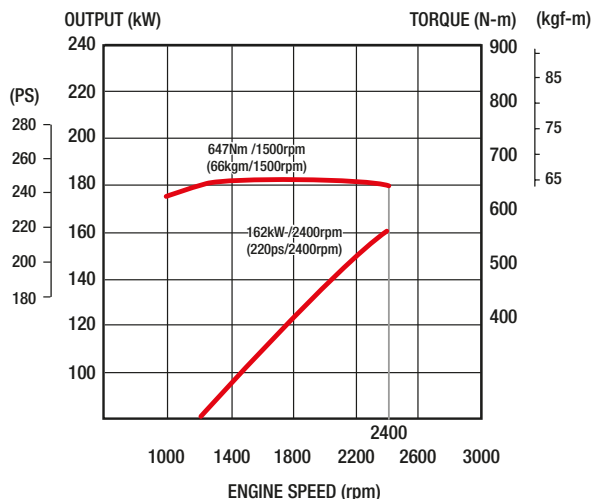
### CAB DETAILS

Type . . . . .	Forward control, all-steel construction with torsion bar tilt mechanism
Drivers SRS Airbag . . . . .	Equipped with Pretensioner Seatbelt
Seating capacity . . . . .	Three
Driver's seat . . . . .	ISRI 6860 with urethane foam pads, high-back, lumbar support, multi adjustable, air suspended, with integrated safety belt
Side passenger's seat . . . . .	Urethane foam pads, high-back & reclining seat with fabric cover & under-tray
Centre passenger's seat . . . . .	Urethane foam pads & foldaway type with seat back tray, fabric cover
Seat belt . . . . .	3-point type on driver's & side passenger's seat, 2-point type on centre passenger's seat
Sun visor and overhead console . . . . .	For driver & passenger sides
Windshield wipers . . . . .	Electric, dual, intermittent & 2-speed
Ventilator . . . . .	Forced type by electric blower
Rear view mirrors . . . . .	External: Electric & heated, two flat type, two convex spotters
Cigarette lighter 24V . . . . .	Equipped
Floor mat . . . . .	Vinyl type
Front air spoiler . . . . .	Equipped
Central locking & keyless entry . . . . .	Equipped with immobiliser
Heater and defroster . . . . .	Standard
Air conditioner . . . . .	Standard
Trim . . . . .	Full trim type (side, roof & back)
Cab pockets . . . . .	Equipped on both door sides
Power windows . . . . .	Equipped
Car audio . . . . .	DAB+ AM/FM radio / CD & DVD player with Bluetooth
Speakers . . . . .	Driver & passenger sides
Foot rest . . . . .	Equipped
Easy Start . . . . .	Equipped
Cup holder . . . . .	Equipped
Cruise Control . . . . .	Equipped

### ELECTRICAL

Type . . . . .	24V, negative earth
Batteries . . . . .	2 x12V, series connection. Capacity 65Ah at 20-hour rate
Alternator type . . . . .	Brushless with built-in rectifier and voltage regulator. Capacity 24V, 60A
Starter type . . . . .	24V, 4.5kW
Headlamps . . . . .	Halogen type includes fog lamps
High/low beam . . . . .	Equipped
Fluorescent reading lamp . . . . .	Equipped
Electric horn . . . . .	Equipped

### POWER& TORQUE CHART(ISO Net) JO7E-TR



### INSTRUMENTS

- Meters & gauges**
  - Speedometer with trip meter
  - Odometer
  - Tachometer
  - Fuel gauge
  - Coolant temperature gauge
  - Air pressure gauge
- Switches**
  - One-key starting-stopping
  - Lighting
  - Directional indicator, dimmer & passing
  - Wiper and washer
  - Hazard lamp
  - Exhaust brake
  - Map lamp
  - Fog lamp
  - Easy Start
  - Cruise Control
  - DPR regeneration
  - ASR off
  - Mirror controls
- Warning, pilot lamps & buzzers**
  - Oil pressure warning lamp & buzzer
  - Air pressure warning lamp & buzzer
  - Engine over-run warning buzzer
  - Coolant level warning lamp & buzzer
  - Brake fluid level warning lamp & buzzer
  - Brake adjustment warning lamp & buzzer
  - High beam indicator lamp
  - Turn signal indicator lamp
  - Parking brake indicator lamp
  - Seat belt warning lamp & buzzer
  - Exhaust brake indicator lamp
  - Engine control system warning lamp
  - Hazard indicator lamp
  - Back-up warning buzzer
- Others**
  - Idle up control knob
  - Horn button
  - 12V electric source

### STEERING

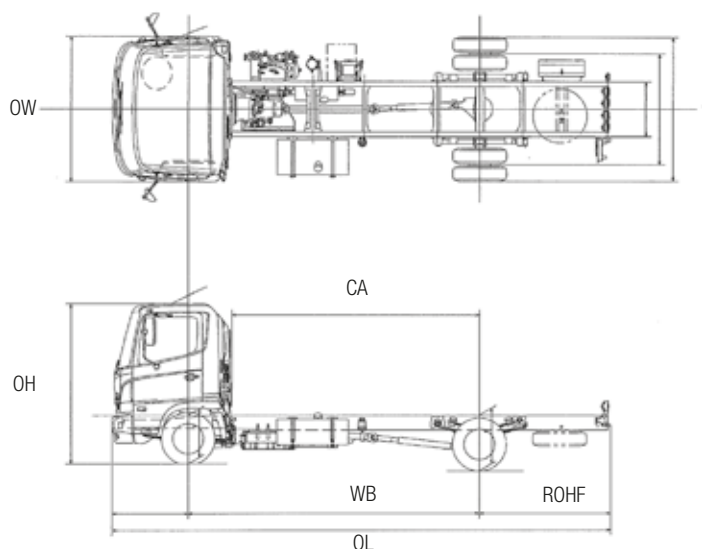
Type . . . . .	Telescopic & tilt steering column with locking device. Recirculating ball with Integral Power Steering
Gear ratio . . . . .	18.6:1
Steering angle . . . . .	Inside:50-53° Outside:39°

### CHASSIS FRAME

Type . . . . .	Ladder-shaped channel-section side rails
Rear chassis width . . . . .	820mm
Max. section (depth x flange x thickness) . . . . .	228.6 x 73 x 5.3mm (Medium-Long) 231.6 x 73 x 6.8mm (Medium)
Tensile strength . . . . .	540N/mm <sup>2</sup> {55kgf/mm <sup>2</sup> }
Hooks . . . . .	Equipped for front & rear
Factory FUP . . . . .	Equipped



# FC 1022 ProShift 6 Dimensions



## DIMENSIONS - mm / Capacities

Model Hino FC 1022 ProShift6	Medium
Production code	FC7JMA-ENU
Wheelbase (WB)	4350
Nominal Max body length	6250
Overall length (OL)	7445
Overall width (OW)	2175
Overall height (OH)	2450
Cab to rear axle centre (CA)	3720
Rear overhang (at frame end) (ROHF)	1910
Front chassis height (HF)	775
Rear chassis height (HR)	880
Road clearance (at diff. case) (RC)	220
Front track (FT)	1770
Rear track (RT)	1660
Turning circle kerb to kerb	13,800
Turning circle wall to wall	15,200
<b>Chassis mass – kg (standard tools, 10 litres of fuel, without spare tyre)</b>	
Total	3260
Front	2240
Rear	1020
GVM*	10,400
GCM	16,000

## WARRANTY

New vehicle warranty period

Medium Duty Model	Axle configuration	Standard warranty <small>(whichever comes first)</small>	Engine & Powerlines <small>(whichever comes first)</small>
<b>500 FC 1022 ProShift 6</b>	4 x 2	24 months or 100,000km	36 months or 150,000km

## DISCLAIMER

Important notice. Hino Trucks are distributed in New Zealand by Hino Distributors (NZ) Ltd. All efforts have been made to ensure the information contained in this brochure was correct at time of printing or uploading. Hino Distributors (NZ) Ltd reserves the right to alter any details of the specifications and equipment without notice. Hino in so far as it is permitted by law to do so, shall not be liable in any way as a result of any reliance placed by any person on anything contained in this brochure. You should therefore check with your authorised Hino dealer at the time of ordering your motor vehicle to ensure that colour, specifications, equipment, design features and options are available for the vehicle you are ordering. Please note that some options may only be available in combination with others. Authorised Hino dealers will on request provide up to date information on all accessories, design features, prices and availability.

Date of issue - 01/03/12 FC 1022 ProShift 6 V3.1