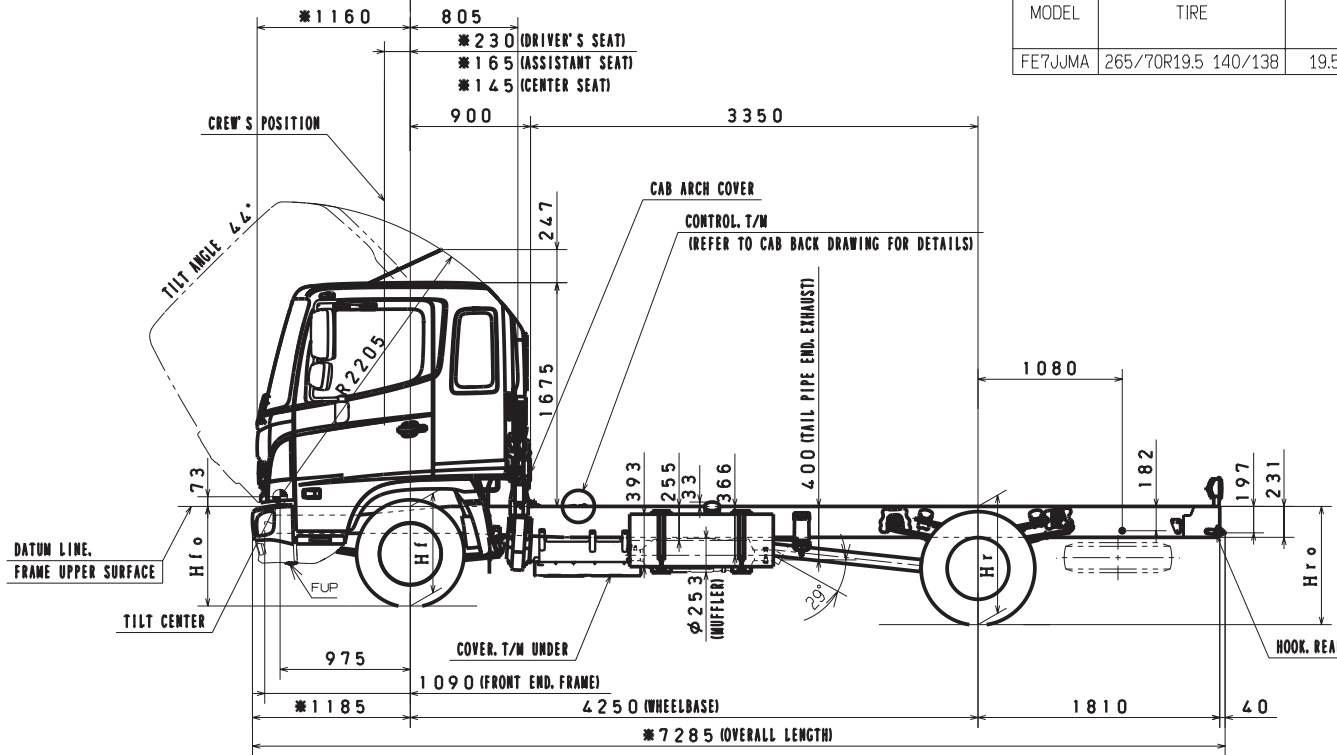
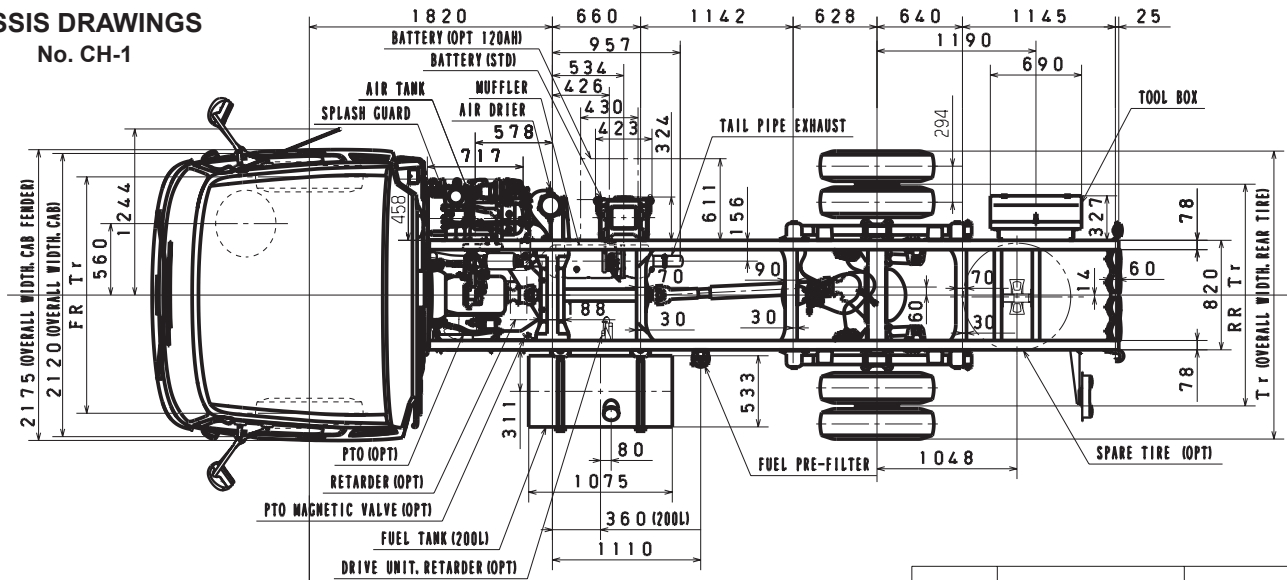


3. CHASSIS DRAWINGS
No. CH-1

Unit : mm



MODEL	TIRE	WHEEL	GROUND HEIGHT, FRAME UPPER SURFACE				FR Tr	RR Tr	Tr
			Hf0	Hf	Hr	Hr0			
FE7JJMA	265/70R19.5 140/138	19.5X6.75-147-12	785	815	925	970	1760	1690	2240

NOTE: 1. Figures marked "*" dimensions are measured in parallel with the surface of the ground.
2. The dimension of tire to be mentioned in above table shows design figure according to ETRTO standard.