



700
S E R I E S

SS 2848 Air



* Illustration may contain items not standard to the model

6 x 4 Truck Chassis

KEY FEATURES

- ECE R29 Cab Strength Compliance
- Integrated Factory FUPS
- Heated & Electrically Operated External Mirrors
- Cruise Control
- HID Headlamps
- ISRI 6860 Drivers Seat with Integrated Safety Belt

KEY SPECIFICATIONS

GVM.	28,300kg
GCM.	72,000kg
Power.	353kW @ 1800 RPM
Torque	2157Nm @ 1100 RPM
Transmission	RTLO 18918B
Wheelbase.	.4005mm





SS 2848 Air

SSIEKLG-WAZ SS 2848 Air

Engine, Driveline & Chassis specifications

ENGINE

Model	Hino E13C VG
Max. output (ISO NET)	353kW (480 PS) at 1800rpm
Max. output (JIS GROSS)	360kW (490 PS) at 1800rpm
Max. torque (ISO NET)	2157Nm at 1100rpm
Max. torque (JIS GROSS)	2197Nm at 1100rpm
Max. engine speed.	1900rpm
Engine compliance.	ADR 80/03
Type	Diesel, turbo charged & inter-cooled, 6 cylinder in-line, overhead camshaft
Combustion system	Direct injection type with Cooled-EGR
Bore & stroke	137 x 146mm
Piston displacement	12.913L
Compression ratio	17.0:1
Engine oil capacity	37.0L
Engine coolant capacity	27.4L
Fuel injection pump	Electronic control common rail
Governor	Electric
Air cleaner.	Dual paper elements
Air compressor	Single cylinder, water cooled
Bore & stroke	95 x 70mm
Exhaust.	Horizontal outlet with SCR
Emission Control System	EGR & SCR meeting ADR 80/03 using Euro 5 STD

CLUTCH

Model	Hino CR-380
Type	Dry twin plate with damper springs
Control	Hydraulic with air booster
Facing material	Ceramic
Facing diameter.	387mm

TRANSMISSION

Model	RTLO 18918B
Type	Eaton 18 forward & 4 reverse speeds, double overdrive, constant mesh 1st - 18th
Control	Mechanical
Final drive ratio	4.555:1

1st	14.402	12th	1.952
2nd	12.287	13th	1.617
3rd	8.561	14th	1.379
4th	7.303	15th	1.172
5th	6.048	16th	1.000
6th	5.160	17th	0.855
7th	4.384	18th	0.730
8th	3.740	Rev.	15.057
9th	3.201	Rev.	12.845
10th	2.731	Rev.	4.025
11th	2.288	Rev.	3.434

PERFORMANCE

Engine RPM @ 100km/h	1750
Max theoretical speed (km/h)	108
Vehicle electronically speed limited to 100km/h	
Gradeability Tan θ (%) @ GCM	38

BRAKES

Type	Full air, dual circuit, "S" cam type, leading & trailing shoes for front & rear with auto slack adjuster
Size	Front Drum 406.4 x 152mm Rear Drum. 410.4 x 216mm
Air drier.	Equipped
ABS	Equipped
Trailer brake control	Hand control on dash
Park brake.	Spring brake acting on 1st & 2nd axle
Engine brake	Engine compression brake equipped

AXLE LOAD & TYPE

Axle load limit	Front axle 7500kg Rear axle 21,000kg
Front axle type	MF781 series, Reversed Elliot, section I-Beam
Rear axle type	THD18 tandem axle, dual drive with inter-axle differential lock, full-floating single reduction, single-speed by hypoid
Rear rear axle	Cross lock fitted

SUSPENSION

Front suspension Type	Semi-elliptic tapered leaf springs with shock absorbers & stabiliser
Size	1700 x 90mm
Rear suspension Type	Hendrickson HAS 460 airbag suspension with shock absorbers and Dump Valve
Capacity	21,000kg

WHEELS & TYRES

Wheel type	10 stud disc wheels (ISO 335 PCD)
Rim size	22.5 x 8.25- offset 165mm
Tyre size	11R22.5 148/145
Number of tyres.	10
Tools included	Wheelbrace and jack

FUEL TANK

Type	Square aluminium
Volume	460 + 250 = 710L
Fuel pre-filter & sedimenter	Equipped
Locking fuel cap	Equipped
Ad Blue tank capacity.	56L



SS 2848 Air

SSIEKLG-WAZ SS 2848 Air

Cab equipment & Instrumentation

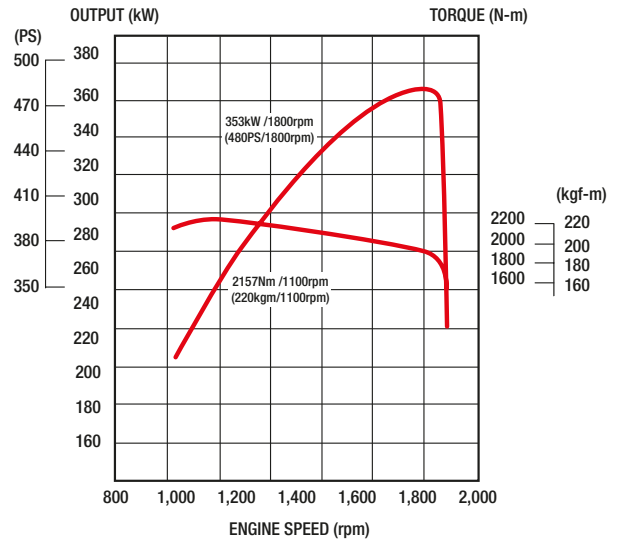
CAB DETAILS

Type	Forward control, all steel welded construction, full-floating air-suspension cab with electrical tilting mechanism
ECER29 Cab strength.	Compliant
Driver SRS Airbag	Equipped
Front Underrun Protection	Equipped
Seating capacity	2 optional 3
Driver's seat	ISRI 6860 Urethane foam pads, high-back, lumbar support, Multi adjustable, air suspended, with integrated Safety Belt
Passenger seat	Urethane foam pads, high back & reclining seat with fabric cover
Centre console	Equipped
Seat belts	3-point type on driver's & side passenger seats
Rear view mirrors	2 external electrically controlled, flat type mirrors with heaters and spotters
Windshield wipers	Electric, triple-arm, with intermittent & 2 speed control
Sun visor & overhead console.	Equipped
Centre overhead console	Equipped
Cigarette lighter (24 volt)	Equipped
Ventilator	Forced type with electric blower
Heater & defroster	Equipped
Air conditioner	Equipped
Sleeper berth.	Single, with blackout curtains
Audio	DAB+ AM/FM radio/CD & DVD player with Blue Tooth
Speakers	Driver, passenger & centre
Floor mat	Vinyl mat
Front air spoiler	Equipped
Cab step	Equipped
Trim	Full trim type / side roof back
Electric power windows	Both sides
Electric door lock	Remote control keyless entry
Cab pockets	Both door sides & passenger seat
Electrical converter.	12V (harness type)
Cruise Control	Equipped

ELECTRICAL

Type	24 volts, negative earth
Batteries	12V x 2 series connection
Capacity	150Ah at 20 hour rate
Alternator	Brushless type 24V, 90A with built-in rectifier & voltage regulator
Starter	24V, 6.0kW
Lamps	Gas discharge (HID) headlamps, fog lamps, cornering lamps, room lamp (fluorescent lamp), map lamp

POWER & TORQUE CHART (ISO NET) E13C VG



INSTRUMENTS

- | | |
|---|---|
| <p>1. Meters and gauges</p> <ul style="list-style-type: none"> Speedometer with trip meter Odometer Fuel gauge Tachometer Coolant temperature gauge <p>2. Switches</p> <ul style="list-style-type: none"> Lights Indicators, dimmer & passing Wiper & washer Hazard lamp Fog lamp Room lamp Warning lamp check Map lamp Differential lock Rear rear differential cross lock Mirror heating Economy running Cruise Control | <p>3. Warning, pilot lamps and buzzers</p> <ul style="list-style-type: none"> Engine oil pressure warning lamp & buzzer Air pressure warning lamp & buzzer High beam indicator lamp Turn signal indicator lamp Parking brake indicator lamp Coolant level warning lamp & buzzer Differential lock indicator lamp Engine over-run warning buzzer Battery charging indicator lamp Fuel filter water level warning lamp Transmission splitter range ABS warning lamp Trailer brake indicator lamp <p>4. Others</p> <ul style="list-style-type: none"> One key starting-stopping Horn button Idle up control knob |
|---|---|

STEERING

Steering column.	Telescopic & tilt with locking device
Steering box	Recirculating ball with Integral Power Steering
Gear ratio	24.1 - 23.8 - 1
Steering angle	Inside:48-50° Outside:39°

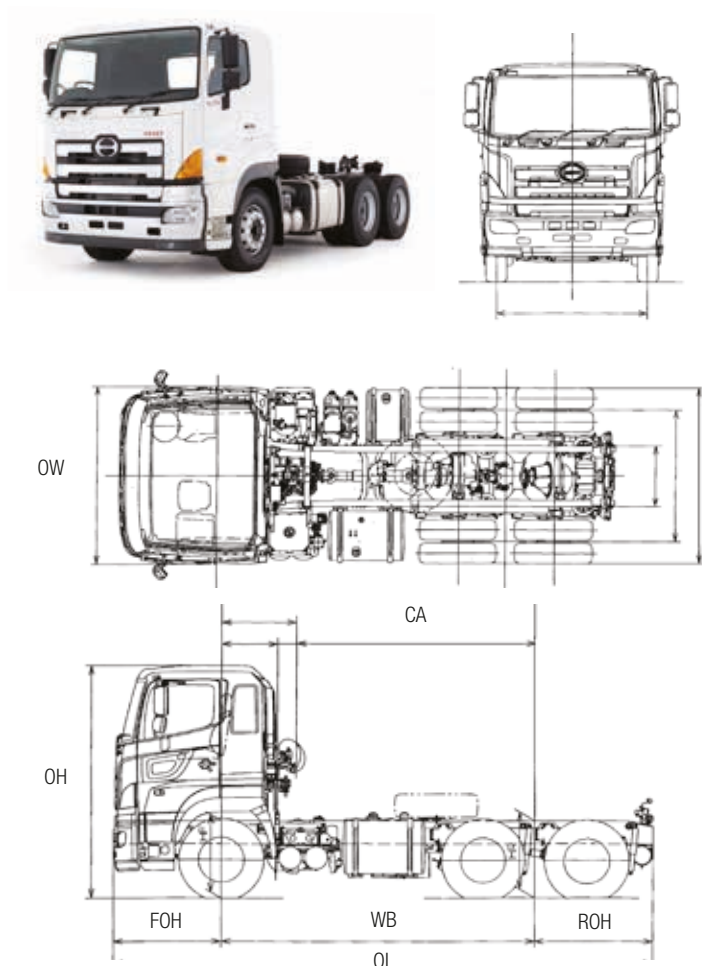
CHASSIS FRAME

Type	Ladder-shaped channel section side rails
Rear chassis width.	840mm
Size	279 x 90 x 7.0mm
Tensile strength	620N/mm ² (63kgf/mm ²)
Hook	Equipped for front
Front Underrun Protection	Equipped



SS 2848 Air

Dimensions



DIMENSIONS -mm / Capacities

Model	Hino SS 2848 Air
Product code	SS1EKLG-WAZ
Wheelbase (WB)	4005
Overall length (OL)	6895
Overall width (OW)	2490
Overall height (OH)	2995
Cab to rear axle centre (CA)	3295
Front overhang (FOH)	1380
Rear overhang (ROH)	1510
Front chassis height	990
Rear chassis height	1045
Front track	2050
Rear track	1840
Road clearance (at diff. case)	210
Turning circle (kerb to kerb)	15,000
Turning circle (wall to wall)	16,640
Chassis mass – kg (standard tools, 10 litres of fuel, without spare tyre)	
Total	8310
Front	4835
Rear	3475
GVM	28,300
GCM	72,000

WARRANTIES

New vehicle warranty period

Heavy Duty Model	Axle configuration	Standard warranty <small>(whichever comes first)</small>	Engine & Powerlines <small>(whichever comes first)</small>
700 SS 2848 Air	6 x 4	24 months or 250,000 km	36 months or 250,000 km

DISCLAIMER

Important notice. Hino Trucks are distributed in New Zealand by Hino Distributors (NZ) Ltd. All efforts have been made to ensure the information contained in this brochure was correct at time of printing or uploading. Hino Distributors (NZ) Ltd reserves the right to alter any details of the specifications and equipment without notice. Hino in so far as it is permitted by law to do so, shall not be liable in any way as a result of any reliance placed by any person on anything contained in this brochure. You should therefore check with your authorised Hino dealer at the time of ordering your motor vehicle to ensure that colour, specifications, equipment, design features and options are available for the vehicle you are ordering. Please note that some options may only be available in combination with others. Authorised Hino dealers will on request provide up to date information on all accessories, design features, prices and availability.

HS700SS2848A-07/12

