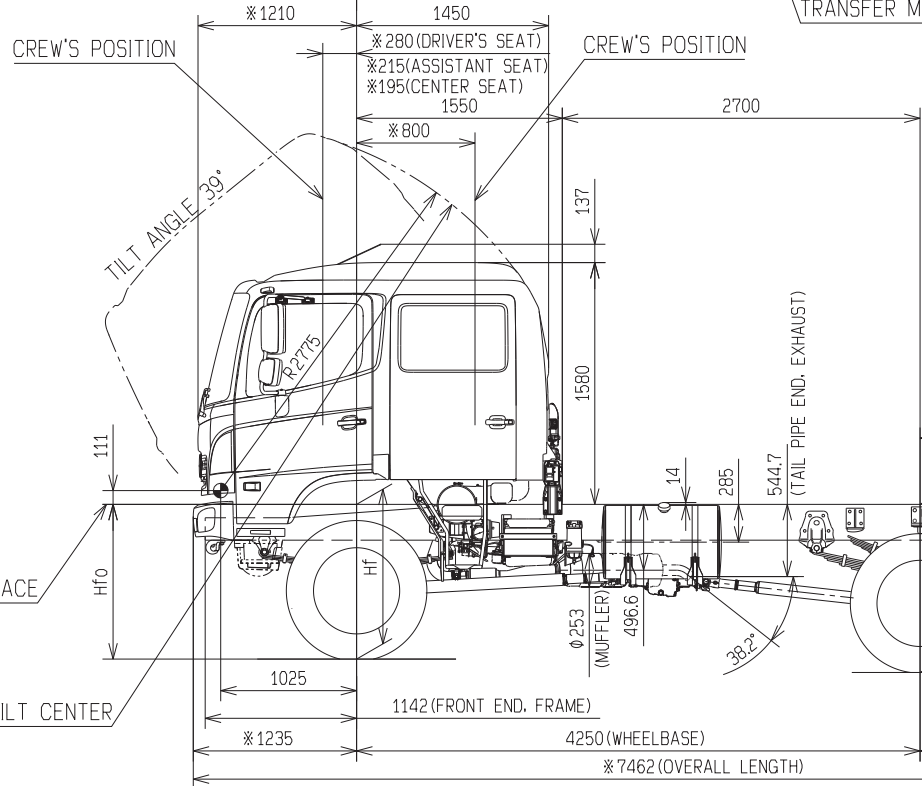
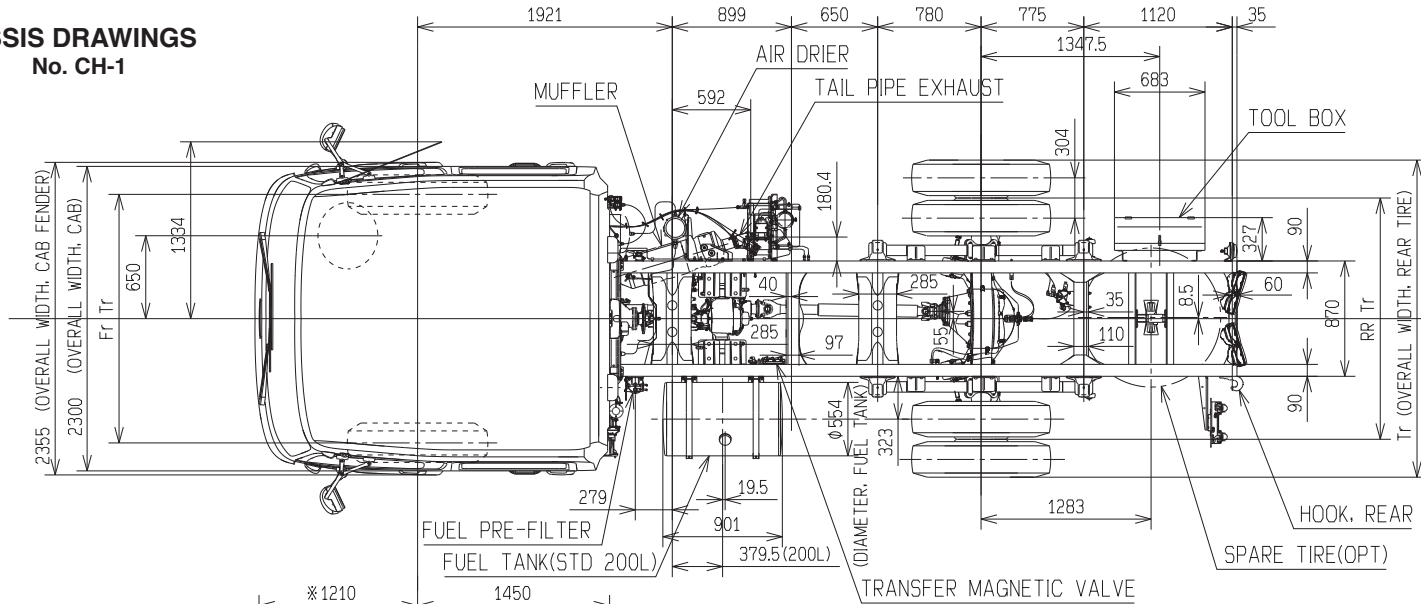


3. CHASSIS DRAWINGS  
No. CH-1

Unit : mm



MODEL	TIRE	WHEEL	GROUND HEIGHT, FRAME UPPER SURFACE				FR Tr	RR Tr	Tr
			Hfo	Hf	Hr	Hro			
GT8JUMF	11R22.5-16PR	22.5X7.50T-162-13	1092	1125	1245	1297.5	1930	1825	2420

NOTE: 1.Figures marked "\*" dimensions are measured in parallel with the surface of the ground.  
2.The dimension of tire to be mentioned in above table shows design figure according to JATMA or ETRTO standard.

DATUM LINE, FLAME UPPER SURFACE

TILT CENTER