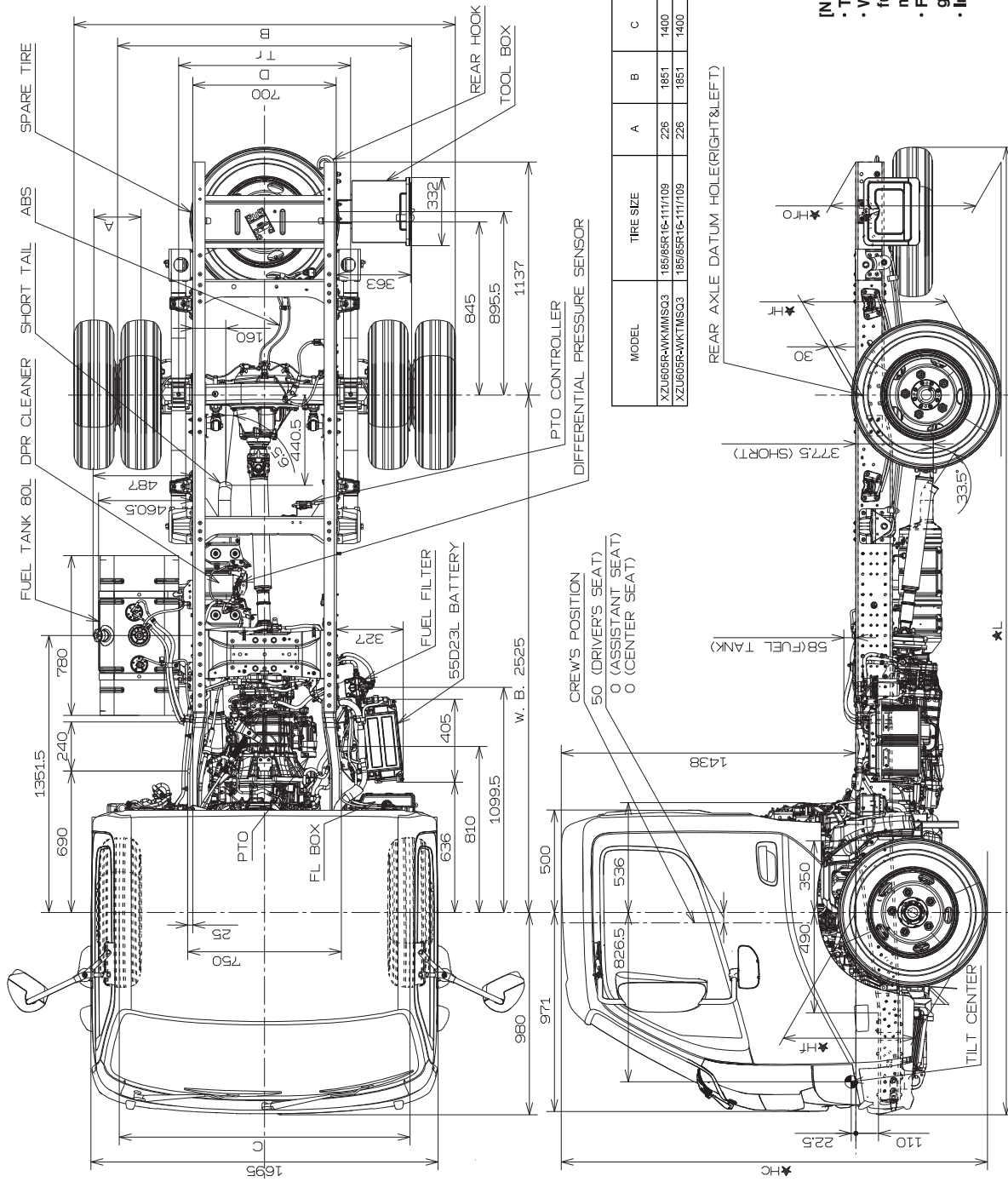


3. CHASSIS DRAWINGS

No. CH-1

Unit : mm



MODEL	TIRE SIZE	A	B	C	D	Tr	DETAIL OF ★L				★Hc	★Hr	★Hro		
							FRAME	HOOK	SPARE TIRE	Rc BUMPER				★L	ROOF
XZU605R-AWKMMSQ3	185/85R16-111/109	226	1851	1400	840	1435	4670	4710	-	4710	2101	2100	661	693	707
XZU605R-AWKTMSQ3	185/85R16-111/109	226	1851	1400	840	1435	4670	4710	-	4710	2100	2100	659	692	707

- [NOTE]**
- The dimensions described above are designed figure under the chassis condition.
 - When selected or fitted optional equipment or local parts such as tire, leaf spring, fuel tank and etc., should be examined the frame height from ground by body manufacturer.
 - Figures marked "★" dimensions are measured in parallel with the surface of the ground.
 - In case of T/M A860E, see the CAB BACK drawing.