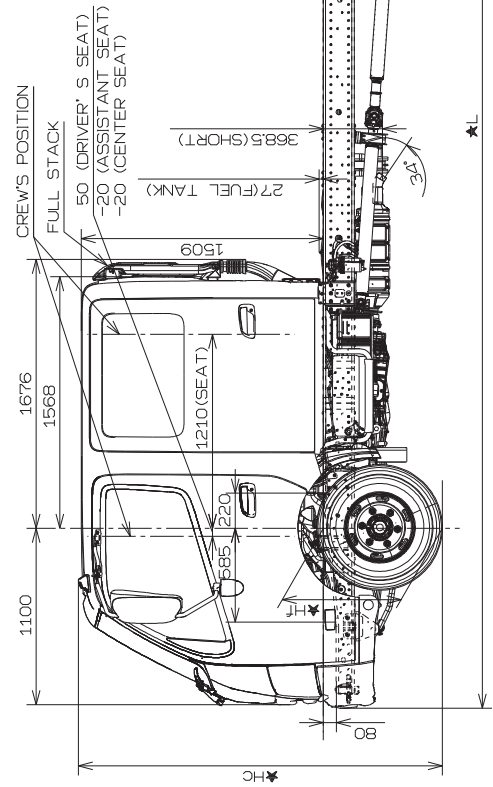


MODEL	TIRE SIZE	A	B	C	D	Tr	DETAIL OF ★L				★Hc		★Hr	★Hto	
							FRAME	HOOK	SPARE TIRE	Rc BUMPER	ROOF	LAMP			
XZU730R-ZKT0S03	205/85R16-117/115	244	1969	1665	890	1520	7250	7284	-	7284	2220	2219	693	756	785
XZU730R-ZKF0T03	205/85R16-120/118	244	1977	1665	890	1520	7250	7284	-	7284	2230	2229	703	765	794
XZU730R-ZKTR0S03	215/85R16-120/118	244	1969	1665	890	1520	7250	7284	-	7284	2230	2230	694	756	785
XZU730R-ZKTR0S03	215/85R16-120/118	244	1977	1665	890	1520	7250	7284	-	7284	2240	2231	704	766	794
XZU730R-ZKTR0S03	225/60R17.5-123/122	254	2063	1655	890	1590	7249	7283	-	7283	2257	2248	724	808	847
XZU730R-ZKFTT03	225/60R17.5-123/122	254	2063	1655	890	1590	7249	7283	-	7283	2258	2248	725	812	853



[NOTE]
 • The dimensions described above are designed figure under the chassis condition.
 • When selected or fitted optional equipment or local parts such as tire, leaf spring, fuel tank and etc., should be examined the frame height from ground by body manufacturer.
 • Figures marked "★" dimensions are measured in parallel with the surface of the ground.