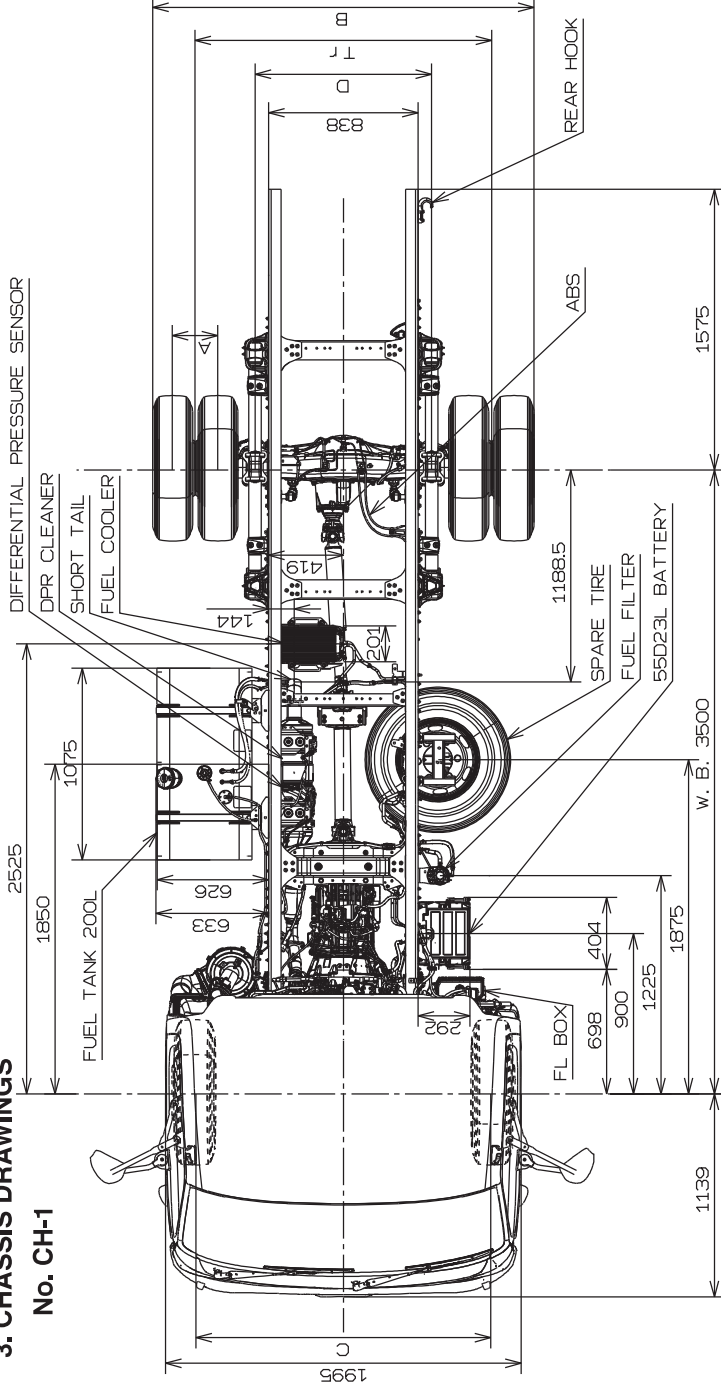


3. CHASSIS DRAWINGS

No. CH-1

Unit : mm



MODEL	TIRE SIZE	A	B	C	D	Tr	DETAIL OF ★L			★L	★Hc	★Hf	★Hr	★Hro
							FRAME	HOOK	SARE TIRE					
XIC710R-WKTIQJ03	225/80R17.5-123/122	254	2133	1655	990	1660	6206	6155	-	6206	2356	750	831	868
XIC710R-WKTTIQJ03	225/80R17.5-123/122	254	2133	1655	990	1660	6206	6155	-	6206	2351	746	840	882
XIC710R-WKFTKQ3	225/80R17.5-123/122	254	2133	1655	990	1660	6206	6155	-	6206	2352	747	840	883

[NOTE]

- The dimensions described above are designed figure under the chassis condition.
- When selected or fitted optional equipment or local parts such as tire, leaf spring, fuel tank and etc., should be examined the frame height from ground by body manufacturer.
- Figures marked "★" dimensions are measured in parallel with the surface of the ground.
- In case of T/M MZZ6F, see the CAB BACK drawing.

