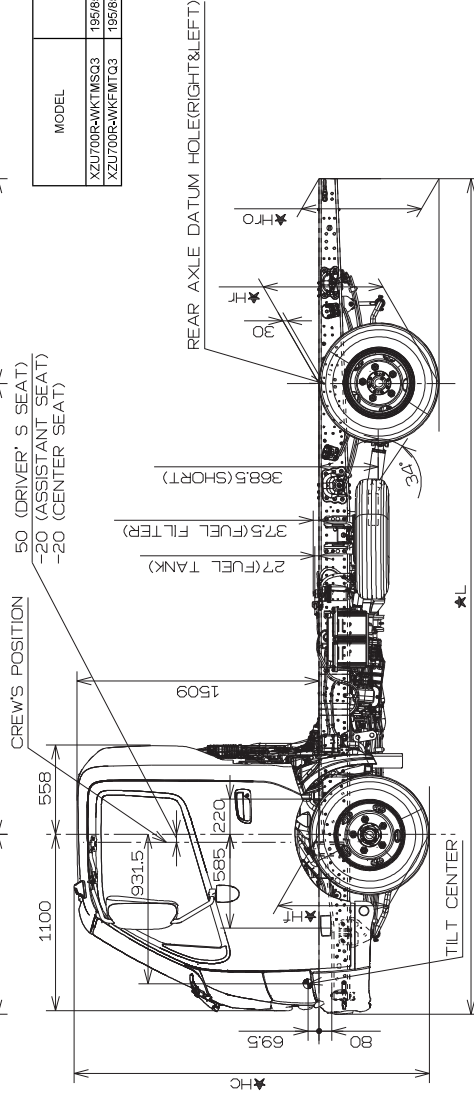
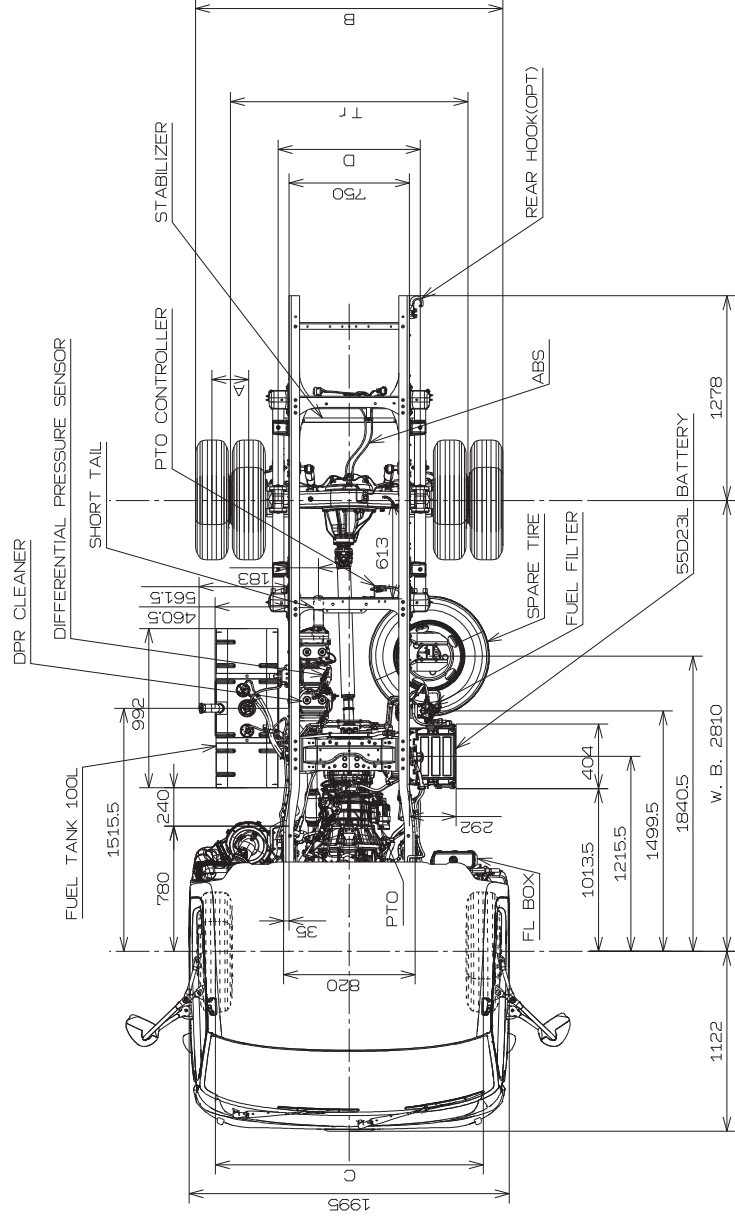


No. CH-3

Unit : mm



MODEL	TIRE SIZE	A	B	C	D	Tr	DETAIL OF ★L			★Hc	★Hr	★Hro
							FRAME	HOOK	S.P. BUMPER			
XZU700R-AWKTMSQ3	195/65R16-14/112	226	1904	1665	885	1480	5198	5192	-	2191	2203	660
XZU700R-AWKFTQ3	195/65R16-14/112	226	1904	1665	885	1480	5198	5193	-	2192	2204	661

[NOTE]

- The dimensions described above are designed figure under the chassis condition.
- When selected or fitted optional equipment or local parts such as tire, leaf spring, fuel tank and etc., should be examined the frame height from ground by body manufacturer.
- Figures marked "★" dimensions are measured in parallel with the surface of the ground.
- In case of T/M A860E, see the CAB BACK drawing.