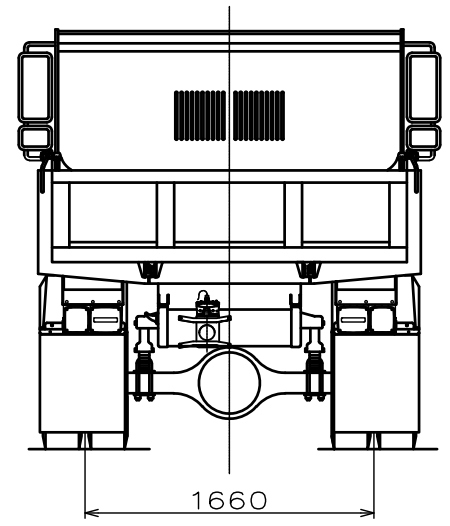
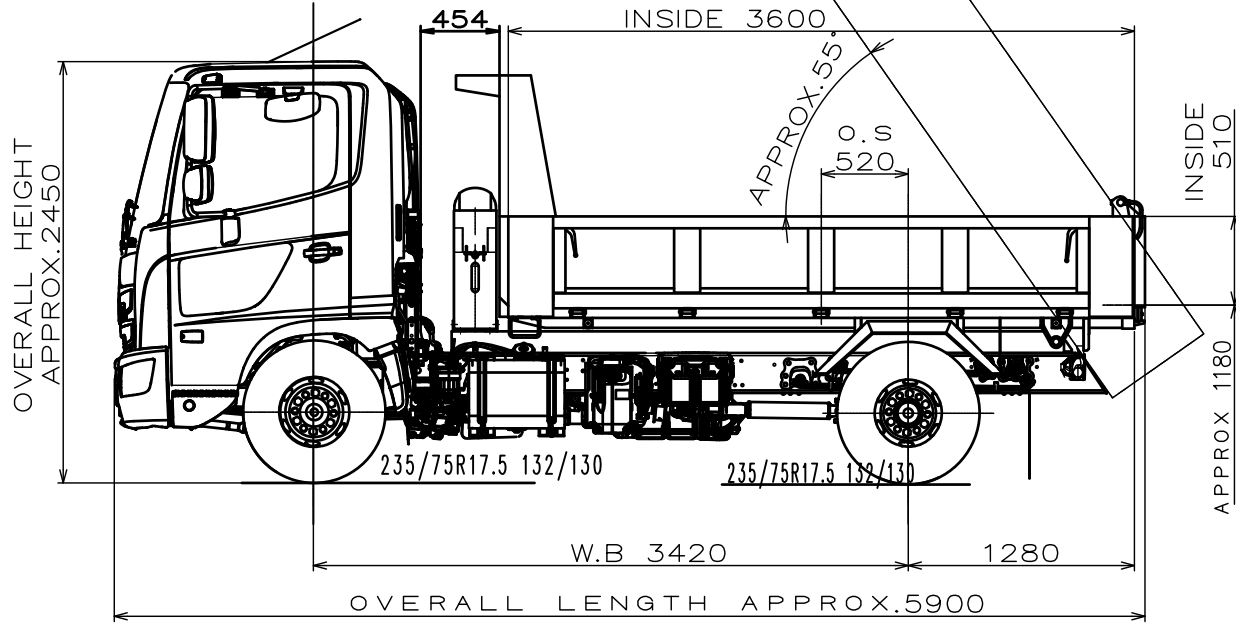


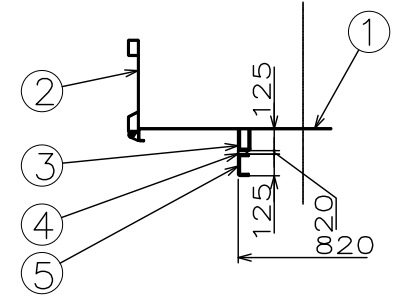
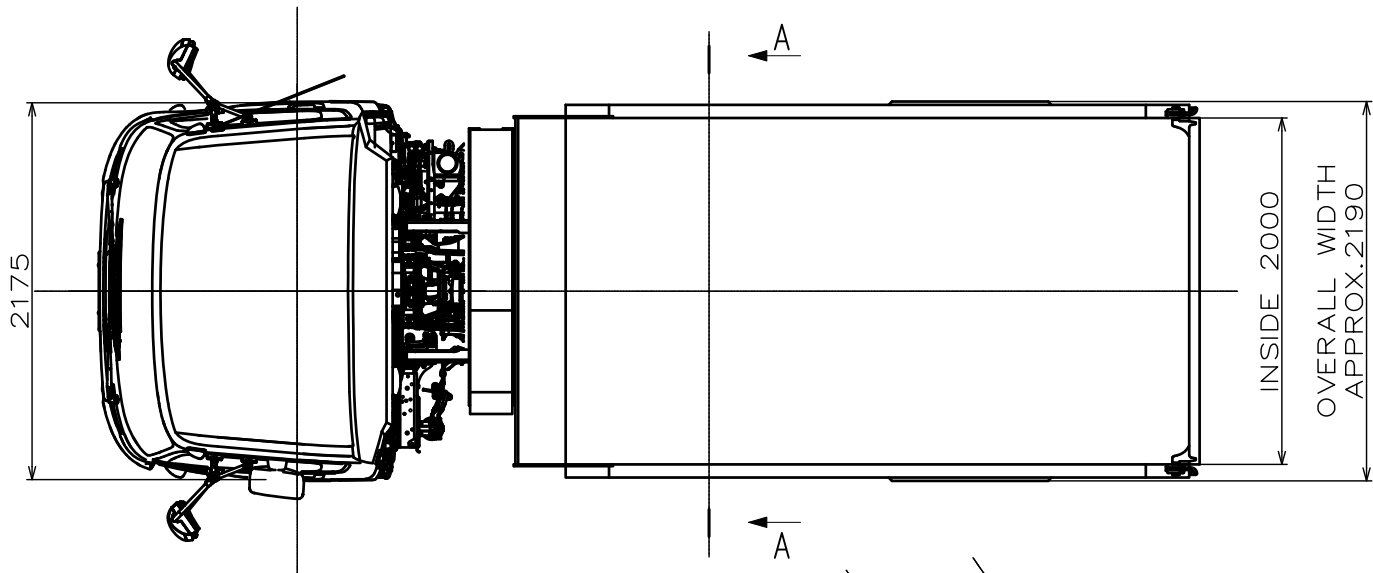
A-A SECTION

| Description  | Dimension | Material   |
|--------------|-----------|------------|
| 1 Deck plate | t6.0      | Mild Steel |
| 2 Side plate | t3.2      | Mild Steel |
| 3 Deck frame | t6.0      | Mild Steel |
| 4 Spacer     | □20x50    | Plastic    |
| 5 Sub-frame  | t4.0      | Mild Steel |



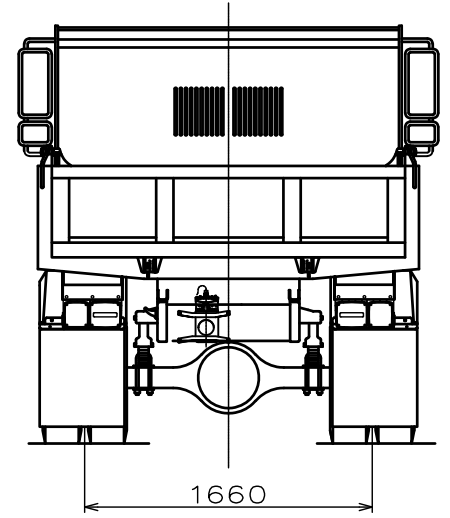
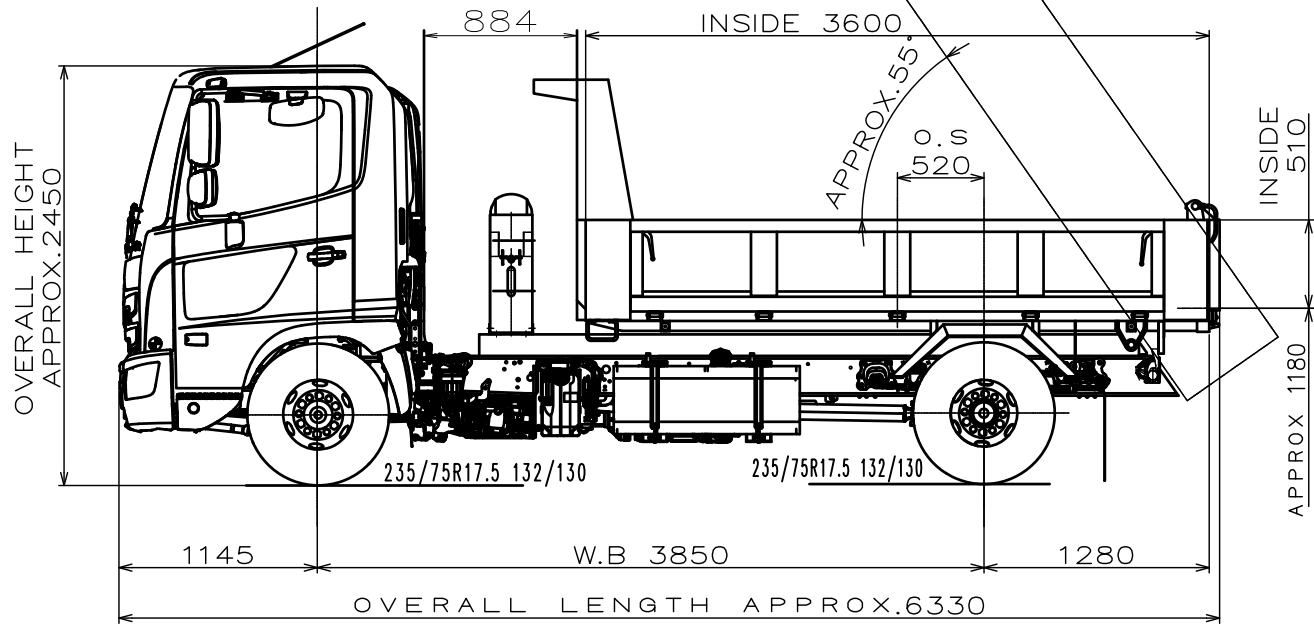
VOLUME(3.6 m<sup>3</sup>)

|                           |                               |
|---------------------------|-------------------------------|
| DRAWING NO.<br>HDD3-01041 | REAR DUMP TRUCK(DROP SIDE)    |
| DATE<br>SEP.03.2018       | CHASSIS MODEL<br>HINO FC2AE1M |
| 足池杉新<br>立田山井林             | HINO MOTORS,LTD.              |



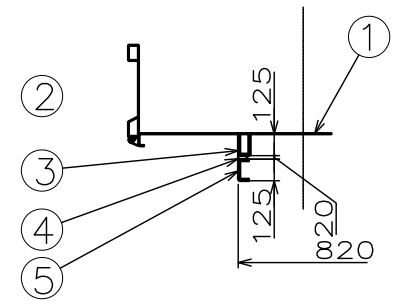
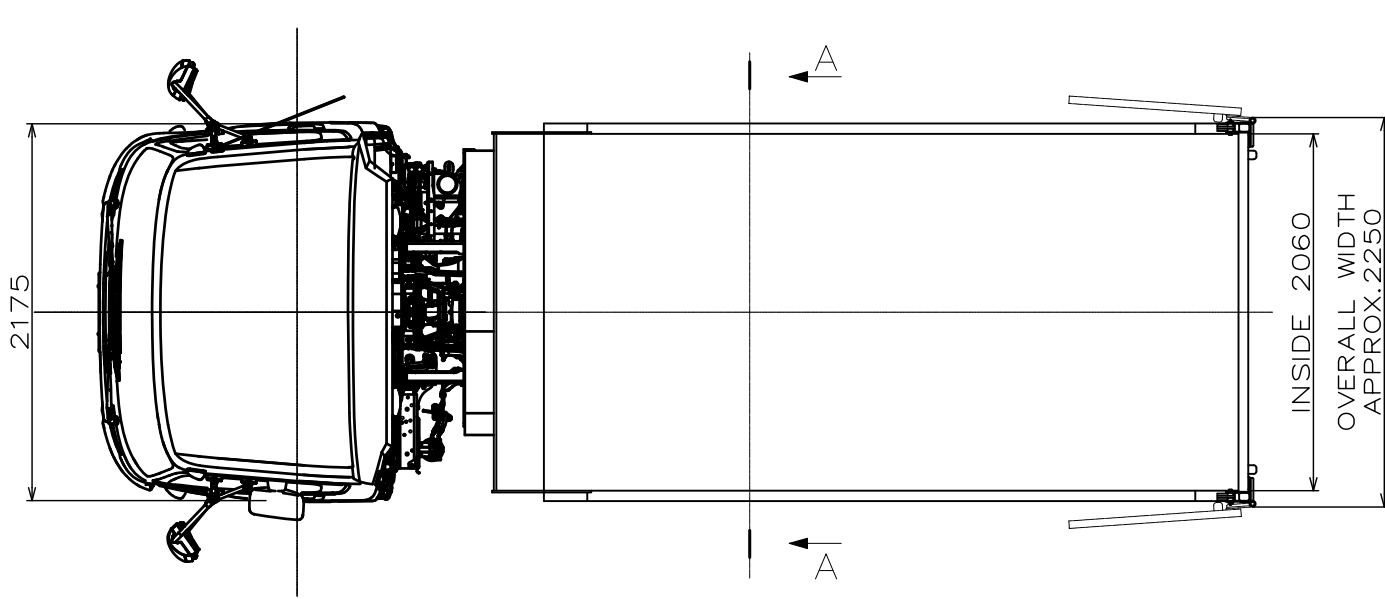
A-A SECTION

| Description  | Dimension | Material   |
|--------------|-----------|------------|
| 1 Deck plate | t6.0      | Mild Steel |
| 2 Side plate | t3.2      | Mild Steel |
| 3 Deck frame | t6.0      | Mild Steel |
| 4 Spacer     | □20x50    | Plastic    |
| 5 Sub-frame  | t4.0      | Mild Steel |



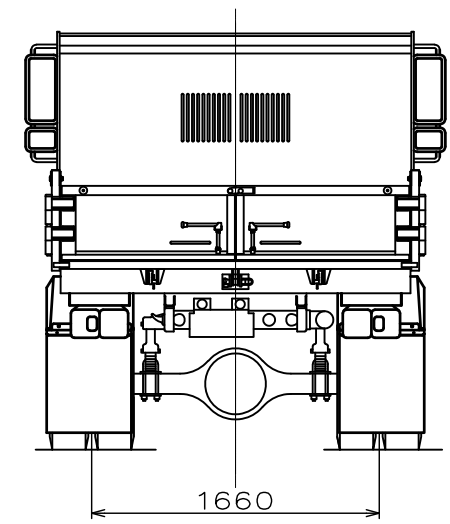
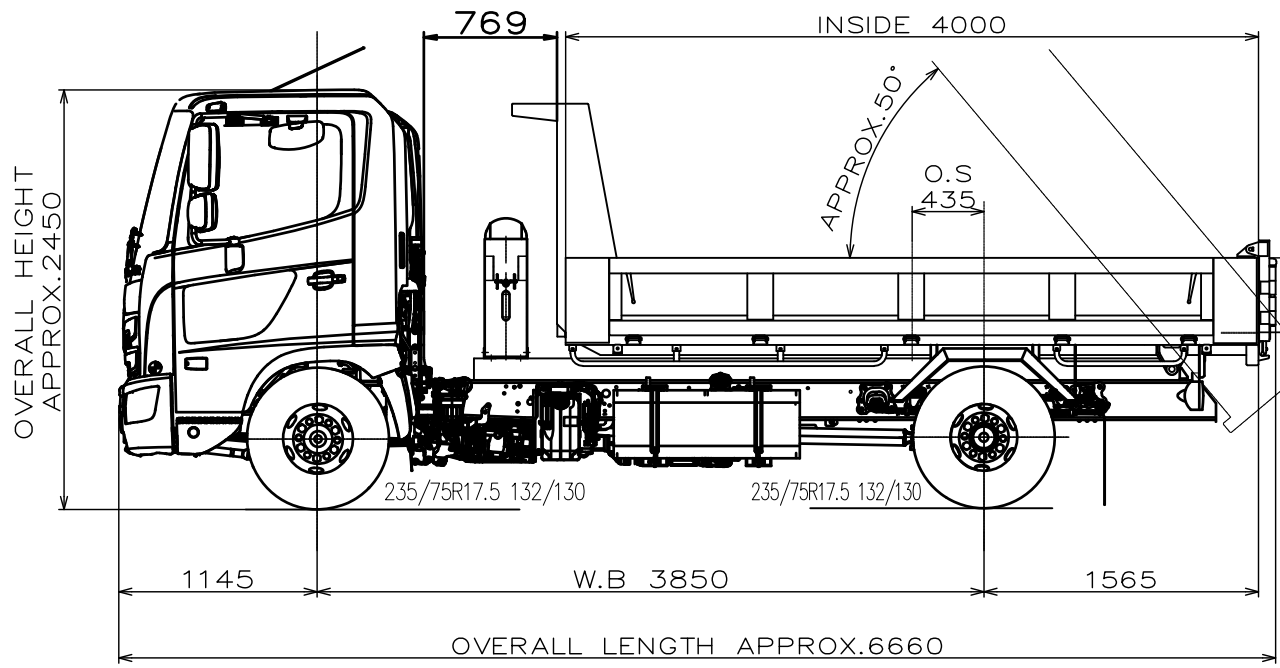
VOLUME(3.6 m<sup>3</sup>)

|                           |                               |
|---------------------------|-------------------------------|
| DRAWING NO.<br>HDD3-01042 | REAR DUMP TRUCK(DROP SIDE)    |
| DATE<br>SEP.03.2018       | CHASSIS MODEL<br>HINO FC2AG1A |
| 足池杉新<br>立田山井              | HINO MOTORS,LTD.              |



A - A SECTION

| Description  | Dimension | Material   |
|--------------|-----------|------------|
| 1 Deck plate | t6.0      | Mild Steel |
| 2 Side plate | t3.2      | Mild Steel |
| 3 Deck frame | t6.0      | Mild Steel |
| 4 Spacer     | □20x50    | Plastic    |
| 5 Sub-frame  | t4.0      | Mild Steel |



VOLUME(3.5<sup>3</sup> m)

|                           |                               |
|---------------------------|-------------------------------|
| DRAWING NO.<br>HDD3-01043 | REAR DUMP TRUCK(DROP SIDE)    |
| DATE<br>SEP.03.2018       | CHASSIS MODEL<br>HINO FC2AG1A |
| 足池杉新<br>立田山井              | HINO MOTORS,LTD.              |