



700 SERIES

FY 3036 AT LEAF



*Overseas model pictured.
May contain items not standard to the NZ model.

Euro 6
Emissions Standard

8 x 4 Cab Chassis

KEY FEATURES

- | | |
|--|---|
| ✓ Engine Retarder Brake (Jake Brake) | ✓ Euro 6 Emissions Standard |
| ✓ ISRI NTSC2 Driver's Seat with integrated safety belt | ✓ ABS, EBS, ASR, & RSS Safety Features Equipped |
| ✓ Inter-Axle Differential & Cross Locks | ✓ Load Share Twin Steer |
| ✓ LED Main Beam Headlamps with DRLs | ✓ Cruise Control |
| ✓ ECE-R29 Cab Strength Certified | ✓ Polished Aloca Alloy Wheels |

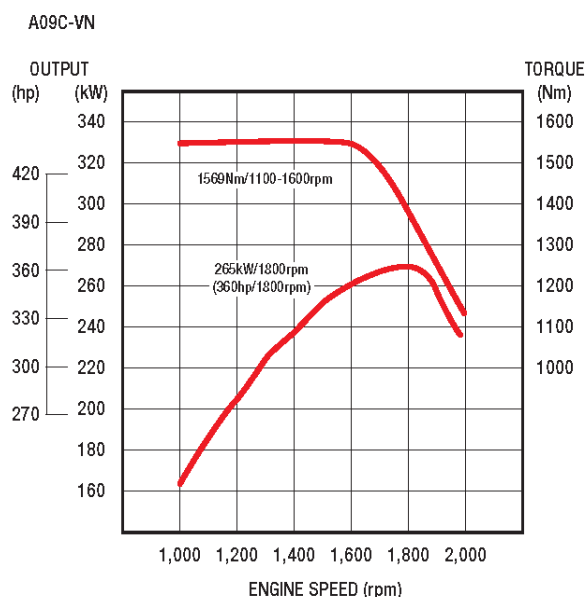
KEY SPECIFICATIONS

GVM	30,000kg
GCM	42,500kg
Power	360hp / 265kW
Torque	1,569Nm
Transmission	6 Speed Automatic
Wheelbase	5.93m

ENGINE

Model	HINO A09C-VN
Max. Output (ISO NET)	360hp / 265kW @ 1,800 RPM
Max. Torque (ISO NET)	1,569Nm @ 1,100-1,600 RPM
Max. Engine RPM	2,100 RPM
Engine Compliance	Euro 6
Type	Diesel, turbocharged & intercooled, 6 cylinder inline, 4 cycle, overhead camshaft, watercooled
Combustion System	Direct injection
Bore & Stroke	112 x 150mm
Piston Displacement	8.866L
Compression Ratio	17.0:1
Fuel Injection	Electronic control common rail
Air Compressor / Bore & Stroke	Single cylinder bore & stroke, 95 x 60mm
Air Cleaner	Behind cab mounted paper elements
Exhaust	Horizontal outlet
Emission Control System	DPR, EGR, & SCR (AdBlue®)
Engine Immobiliser	Equipped

POWER & TORQUE CHART (ISO NET) A09C-VN



PERFORMANCE

Calculations based on 42,500kg GCM with 11R22.5 tyres

Engine RPM @ 100km/h	1,903
Road Speed Limited to (km/h)	100
Max. Theoretical Speed (km/h)	110
Gradeability Tan (%) @ GVM	34.1

TRANSMISSION & GEAR RATIOS

Make & Description	Allison 4440 Automatic	
Type	6 Speed Automatic with Overdrive	
Gear Ratios	1	4.696
	2	2.213
	3	1.529
	4	1.000
	5	0.764
	6	0.672
	Reverse	5.552
Torque Converter Ratio	1.9:1	
Final Drive Ratio	5.428:1	

BRAKES

Type	Full air, taper roller, leading & trailing shoes (drum)	
Control	Dual circuit	
Drum Diameter x Lining Width	Front	406.4 x 152mm
	Rear	406.4 x 216mm
Air Dryer	Equipped	
Auto Brake Shoe Adjuster	Equipped	
Electronic Brake System (EBS)	Equipped	
Anti-Lock Brake System (ABS)	Equipped	
Anti-Slip Regulation (ASR)	Equipped	
Engine Brake (Jake Brake)	Equipped	
Exhaust Brake	Equipped	
Brake Sync	Brake pedal activated engine brake	

FUEL TANK & SUPPLY

Material	Alloy
Fuel Capacity	390L
Lockable Fuel Cap	Equipped
Pre-filter & Sedimentor	Equipped
AdBlue® Capacity	28L

STEERING

Type	Telescopic tilt steering column, recirculating ball, integral power steering with sub booster	
Gear Ratio	Variable	
Steering Angles (Front)	Inner – 39°	Outer – 30°
Steering Angles (Rear)	Inner – 31°	Outer – 25°

ELECTRICAL

Type	24V negative earth	
Batteries	2 x 12V 120Ah 115F51	
Alternator Capacity	24V x 90A	
Starter Type	24V x 6.0kW	
Auto On/Off Headlamps	Low Beam: LED	High Beam: Halogen
Daytime Running Lamps (DRLs)	LED	
Cornering Lamps	Equipped	

SAFETY FEATURES

Active Safety Features	
Anti-Lock Brake System (ABS)	Equipped
Electronic Control Braking System (EBS)	Equipped
Anti-Slip Regulation (ASR)	Equipped
Roll Stability System (RSS)	Equipped
Auto Brake Shoe Adjuster	Equipped
Engine Retarder (Jake Brake)	Equipped
Cruise Control	Equipped
Reverse Buzzer & Camera (RC)	Equipped
Passive Safety Features	
SRS Airbag	Equipped (for driver)
SRS Seat Belt Pretensioner	Equipped (for driver)
Front Underrun Protection Device (FUPD)	Equipped
ECE-R29 Cab Strength Certified	Equipped

AXLE, SUSPENSION & LOAD LIMITS

AXLE, SUSPENSION & LOAD LIMITS		
Front	Front Axle Model	MF781R
	Front Axle Type	Reversed Elliot I Section Beam
	Front Suspension Type	Taper leaf springs with stabiliser & load share
	Axle Limit (incl. Suspension)	15,000kg (group)
Rear	Rear Axle Model	THD 17
	Inter-Axle Differential Lock	Equipped
	Differential Cross Lock	Equipped
	Rear Axle Type	Tandem drive with inter-axle differential & cross locks, full-floating single reduction, single-speed by hypoid
	Rear Suspension Type	Hino 6-Rod with taper leaf springs
	Axle Limit (incl. Suspension)	21,800kg

WHEELS & TYRES

Wheel Type	Alcoa Alloy 10-stud (ISO 335 PCD)
Rim Size	22.5 x 8.25
Tyre Size	275/70R22.5 152/148 (11R22.5 optional)
Number of Tyres	12

CHASSIS FRAME

Main Section (depth x flange x thickness)	302 x 80 x 9.0mm
Chassis Width	840mm
Tensile Strength	620 N/mm ² (63 kgf/mm ²)
Tow Hook (Front & Rear)	Equipped
Type	Ladder-shaped channel section side rails

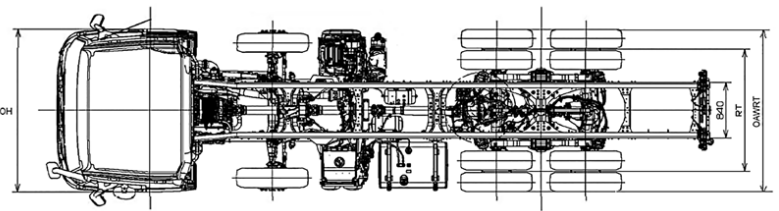
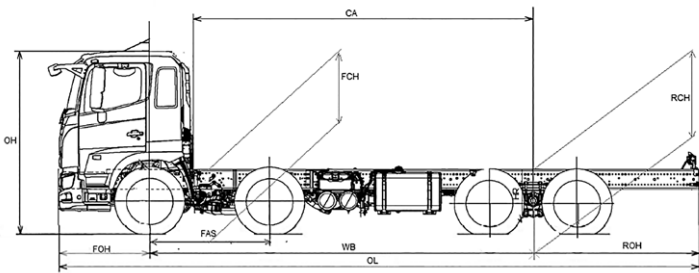
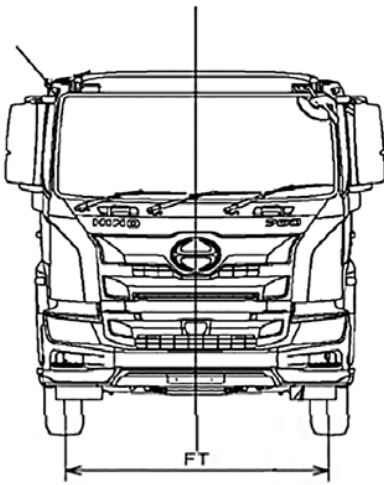
CAB DETAILS

Type	Forward control, all steel, welded construction, fully floating air suspended with electro-hydraulic power tilt
Grille Colour	Chrome
Seating Capacity	2
Driver's Seat	ISRI 6860/870 NTSC2, 7-way adjustable
Side Passenger Seat	High-back, reclining seat with fabric cover
Seat Belts	Driver: 3-point pretensioner Passenger: 3-point type
Sunvisor & Overhead Console	Equipped
Windscreen Wipers	Triple arm wiper with intermittent & variable controls
Windscreen Glass	Heat-absorbing laminated glass
Cab Heater & Air Conditioner	Equipped
Auxiliary Power Supply	12V x 120W socket and USB 2.1A
External Rear-View Mirrors	2 flat type, electric and heated
	2 convex spotters and blind spotters
	LHS and front kerb view mirrors
Central Locking & Keyless Entry	Equipped
Cab Storage Pockets	Equipped
Power Windows	Equipped
Foot Rest	Equipped
Cup Holders	Centre tray and door pockets
Multimedia System	6.5" LCD, HD touch screen display with DAB+ AM/FM radio, AUX input, Bluetooth® 4.1, Android 6.0, CAN bus connected, and Wi-Fi enabled

INSTRUMENTATION

LCD Display	Meters & Gauges
✓ Date, Day, & Time	✓ Speedometer
✓ Temperature Gauge	✓ Tachometer
✓ Fuel & AdBlue® Gauges	✓ Air Gauges
✓ Odometer & Hour Meter	Additional Switches & Controls
✓ Battery Warning	✓ Air Con Controls
Multi Information Display (MID)	✓ Inter-Axle Cross Lock
✓ General Information	✓ Differential Cross Lock
✓ Safety Feature Settings	✓ Brake Sync
✓ Cruise Control	✓ Shift Selector
✓ Eco Tree	✓ Idle Up
✓ Display Settings	✓ Quick Warm Up
✓ System Check	✓ DPR Regeneration
Steering Wheel & Column Controls	✓ ECO Run
✓ Cruise Control	✓ Powered Mirror Control
✓ MID Controls	✓ Mirror Heater
✓ Headlights, Indicators, Window Wipers	✓ Electronic Window Lock Out
✓ Engine Braking Control	✓ Headlight Leveller
✓ Handsfree Phone	✓ Hazard Lights

HINO 700 SERIES - FY 3036 AT LEAF



Drawings are for reference only to the table. For specific chassis layouts and dimensions, please refer to Body Mounting Manual drawings.

DIMENSIONS (MM)

Model	FY1AUKA-FXCPENC
Product Code	FY 3036 AT LEAF 5925
Suspension	Leaf
Wheelbase (WB)	5,925
Front Axle Spread	1,855
Rear Axle Spread	1,350
Overall Length (OL)	9,885
Overall Width (OW)	2,490
Overall Height (OH)	2,895
Cab to Axle Centre (CA)	5,255
Front Overhang (FOH)	1,400
Rear Overhang (ROH)	1,885
Front Chassis Height (FCH)	1,055
Rear Chassis Height (RCH)	1,070
Front Track (FT)	2,050
Rear Track (RT)	1,855
Road Clearance (RC)	245
Kerb to Kerb	23,400
Wall to Wall	25,000
Indicative Chassis Mass (kg) – with 10L of fuel, no tools or spare tyre, and subject to a ±3% tolerance	
Total	8,855
Front	5,890
Rear	2,965
GVM	30,000
GCM	42,500

WARRANTY (PLEASE REFER TO HDL WARRANTY CONDITIONS)

Standard Warranty

24 months or 250,000kms
(whichever comes first)

Engine & Powerlines

36 months or 250,000kms
(whichever comes first)

DISCLAIMER

Hino Trucks are distributed in New Zealand by Hino Distributors (NZ) Ltd.

All efforts have been made to ensure the information contained in this brochure was correct at time of printing or uploading. Hino Distributors (NZ) Ltd reserves the right to alter any details of the specifications and equipment without notice. Hino in so far as it is permitted by law to do so, shall not be liable in any way as a result of any reliance placed by any person on anything contained in this brochure. You should therefore check with your authorised Hino dealer at the time of ordering your motor vehicle to ensure that colour, specifications, equipment, design features and options are available for the vehicle you are ordering. Please note that some options may only be available in combination with others. Authorised Hino dealers will on request provide up to date information on all accessories, design features, prices and availability.