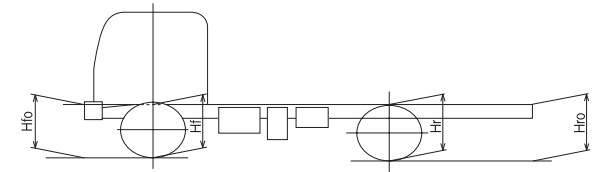
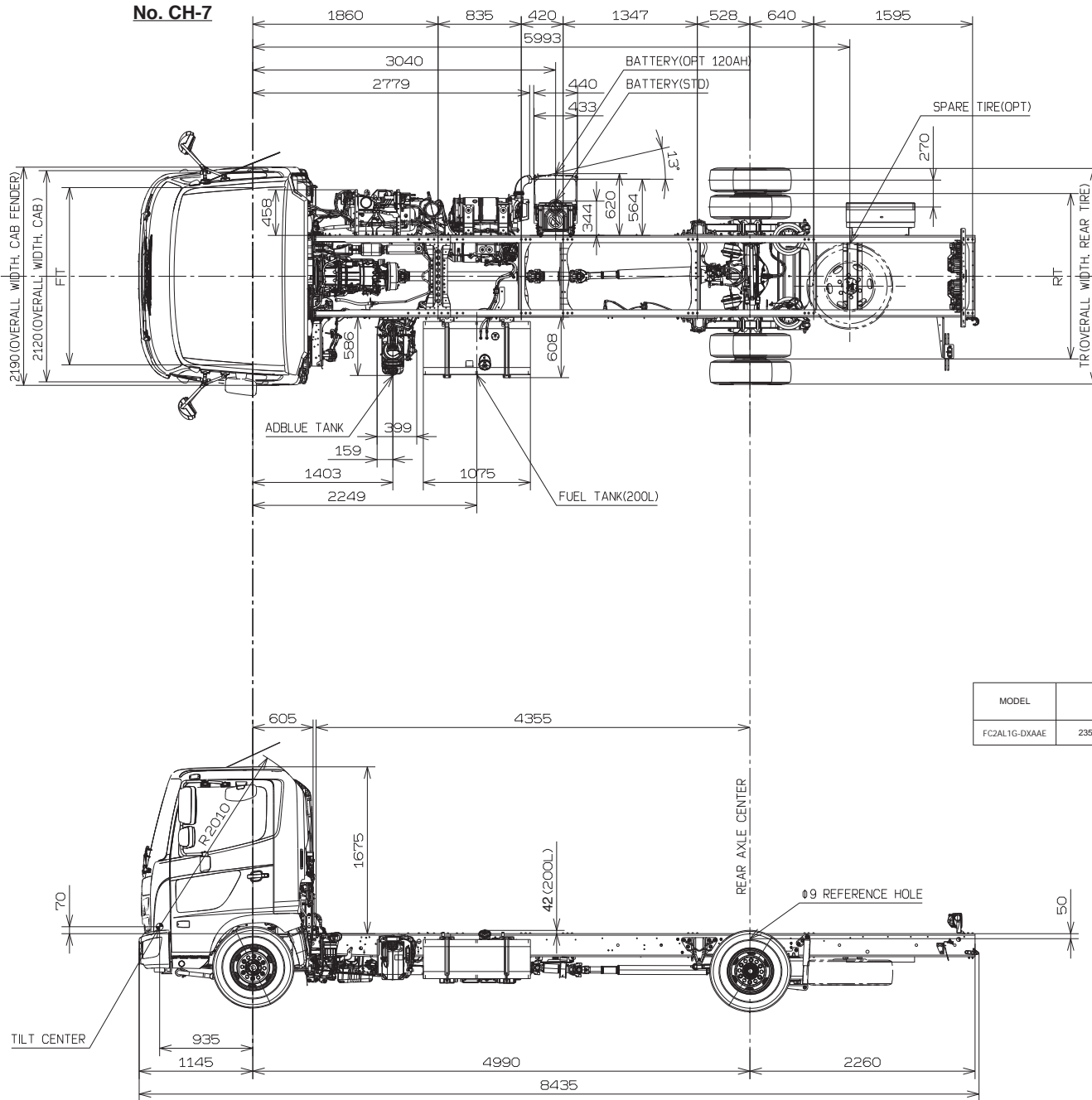


Unit : mm



MODEL	TIRE	WHEEL	GROUND HEIGHT, FRAME UPPER SURFACE				FT	RT	TR
			H10	H1	H	H0			
FC2AL1G-DXAE	235/75R17.5 132/130M	17.5X6.75-135	760	765	780	785	1780	1660	2165
		17.5X6.75-135 ALLOY	760	765	780	785	1795	1680	2190