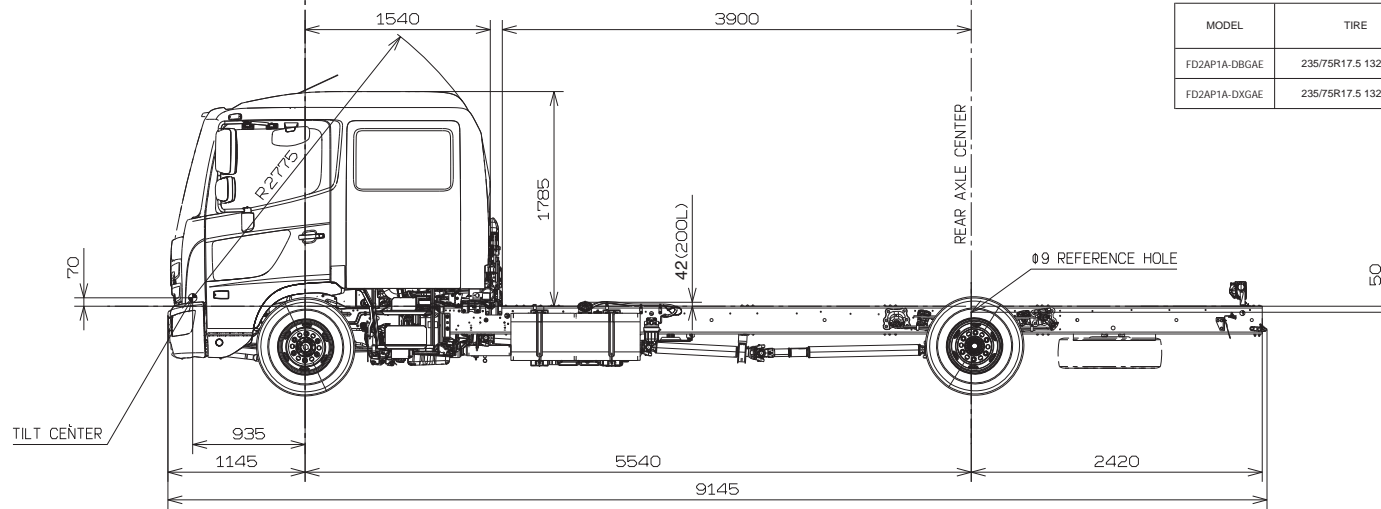
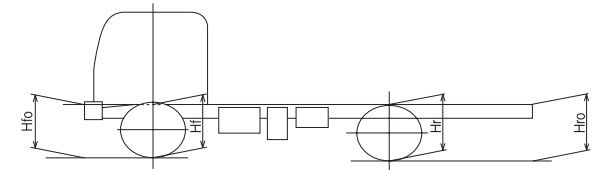
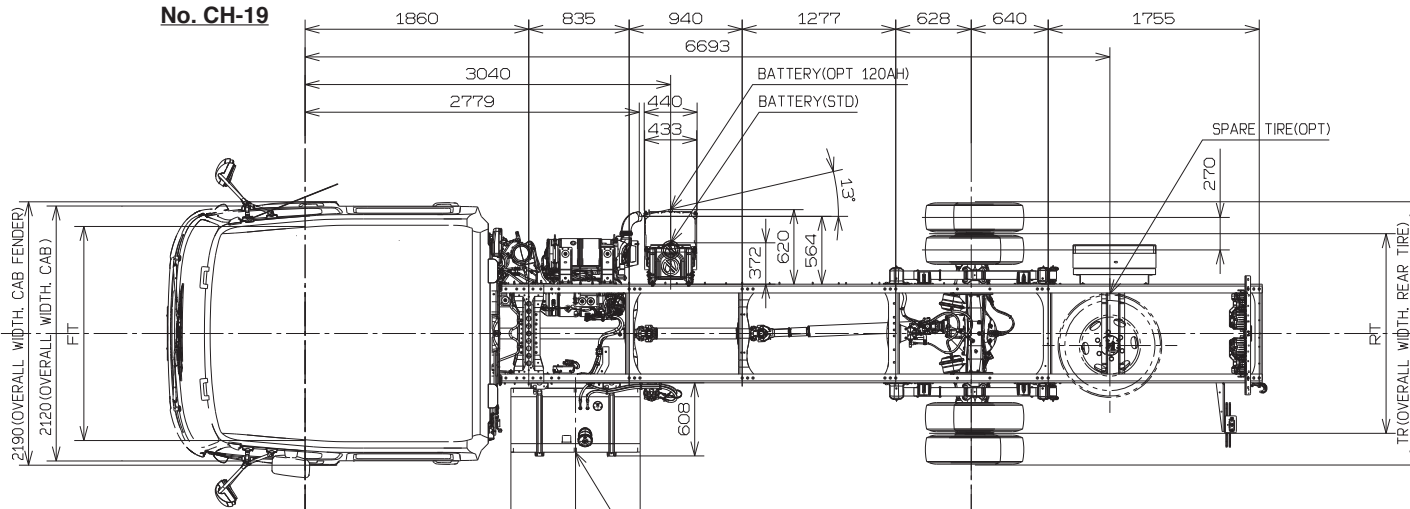


Unit : mm



MODEL	TIRE	WHEEL	GROUND HEIGHT, FRAME UPPER SURFACE				FT	RT	TR
			H10	H1	H	H10			
FD2A1A-DBGAE	235/75R17.5 132/130M	17.5X6.75-135	740	760	860	905	1780	1660	2165
		17.5X6.75-135 ALLOY	740	760	860	905	1795	1680	2190
		17.5X6.75-135	740	760	860	905	1780	1660	2165
FD2A1A-DXGAE	235/75R17.5 132/130M	17.5X6.75-135	740	760	860	905	1795	1680	2190
		17.5X6.75-135 ALLOY	740	760	860	905	1795	1680	2190