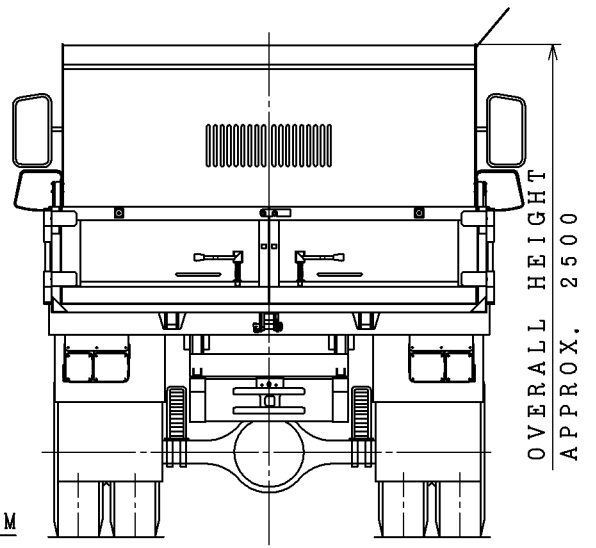
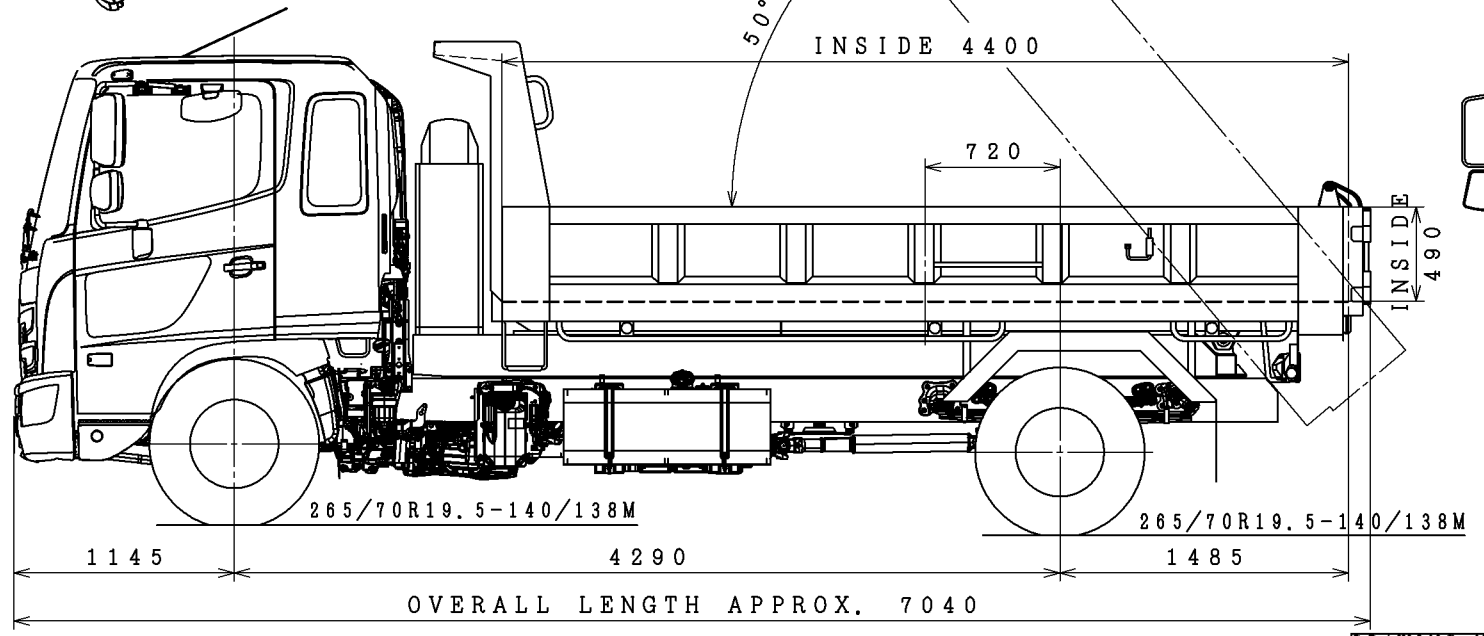


① DECK PLATE	6.0mm
② SIDE PLATE	3.2mm
③ OUTRIGGER	2.3mm
④ MAIN FRAME	6.0mm
⑤ SILL	20mm
⑥ SUB FRAME	6.0mm



VOLUME 4.6m³

DRAWING NO. HDR-FF955C	REAR DUMP TRUCK
DATE JUN. 2020	CHASSIS MODEL HINO FE2AJ1A-FCCAE
SCALE	HINO MOTORS. LTD.